

A

B

C

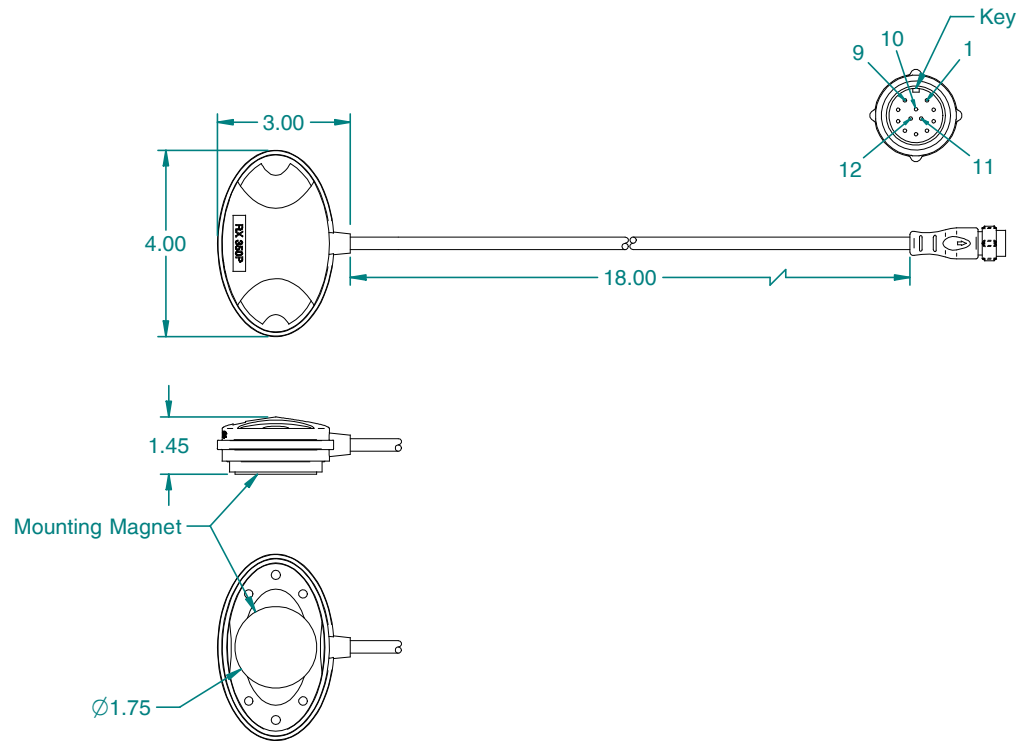
D

1

2


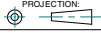
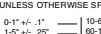
3

4



- Pin Out**
- 1-Manual Mark In
  - 2-Transmit A
  - 3-Receive A
  - 4-None
  - 5-Signal Ground
  - 6-Transmit B
  - 7-None
  - 8-Receive B
  - 9-None
  - 10-Battery Voltage In
  - 11-Battery Ground In
  - 12-None

Note: 1.0 All dimensions are displayed in "Inches" Unless otherwise specified.

MATERIAL:		N/A			
FINISH:		N/A			
PROJECTION:		SCALE:	UNITS:	TITLE: Receiver, GPS 350P WAAS w/18" Cable	
		1:4	X	DRAWN BY: <i>Rayan Reiser</i>	
UNLESS OTHERWISE SPECIFIED TOLERANCE:		METRIC:		CHECKED BY: <i>Ray Reiser</i>	
0-1" +/- .1"    10-60" +/- 1"    XX 1-5" +/- .25"    60-120" +/- 3"    XXX 5-10" +/- .5"    120" +/- 3"    Z				APPROVED BY: <i>Ray Reiser</i>	
R0	1/20/03	010177	SHEET No: 1 of 1		DWG No: C-78-50104
REV.	DATE	DOC. No	Midwest Technologies IL, LLC. Claims proprietary right in the material disclosed hereon. This document is not to be used in any way detrimental to the interest of Midwest Technologies IL, LLC.		