

A

B

C

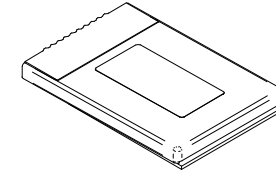
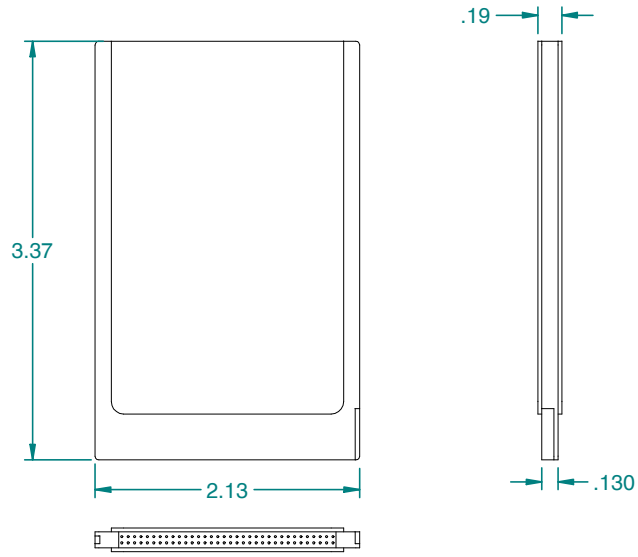
D

1

2



3

4



1:2

Note: 1.0 All dimensions are displayed in "Inches" Unless otherwise specified.

MATERIAL:		N/A			
FINISH:		N/A			
PROJECTION:		SCALE:	UNITS:	DRAWN BY: <i>Bryan Reiser</i>	
		1:1	X	CHECKED BY:	
UNLESS OTHERWISE SPECIFIED TOLERANCE:		APPROVED BY:			
REV.	DATE	NOC. No.	0-.1" ± .01" N/A	10-60" ± .1" N/A	XXX N/A
			1-.5" ± .05" N/A	60-120" ± .2" N/A	XXX N/A
			5-10" ± .5" N/A	120" ± .3" N/A	XXX N/A
			SHEET No:	DWG No:	
			1 of 1	C-78-50049	
Midwest Technologies IL, LLC. Claims proprietary right in the material disclosed herein. This document is not to be used in any way detrimental to the interest of Midwest Technologies IL, LLC.					