

A

B

C

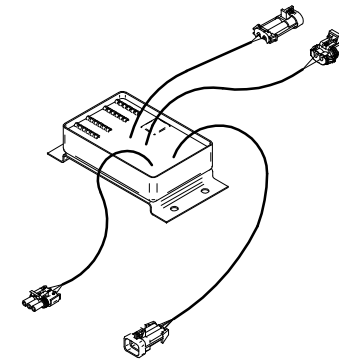
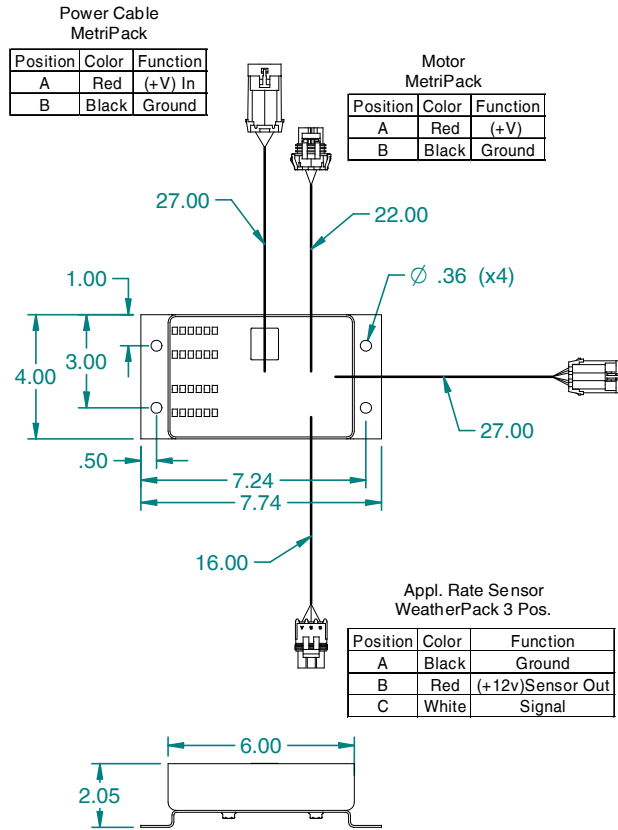
D

1

2

3

4



Note: 1.0 All dimensions are displayed in "Inches" unless otherwise specified.

MATERIAL:		N/A			
FINISH:		N/A		TITLE: Driver 30A Gran Bin	
PROJECTION:		SCALE: UNITS: X 1:4 METRIC:		DRAWN BY: <i>Byron Reiser</i>	
UNLESS OTHERWISE SPECIFIED TOLERANCE:		0-1" +/- .1"    10-60" +/- .1"    .XX 1-5" +/- .25"    60-120" +/- .2"    .XX 5-10" +/- .5"    120" +/- .3"    .XX		CHECKED BY: <i>Ray Neuber</i>	
REV. DATE		NOC. No.		APPROVED BY: <i>Scott Leuber</i>	
R0	6/26/03	010221		SHEET No:	DWS No:
				1 of 1	C-78-05030
Midwest Technologies IL, LLC. Claims proprietary right in the material disclosed herein. This document is not to be used in any way detrimental to the interest of Midwest Technologies IL, LLC.					