

A

B

C

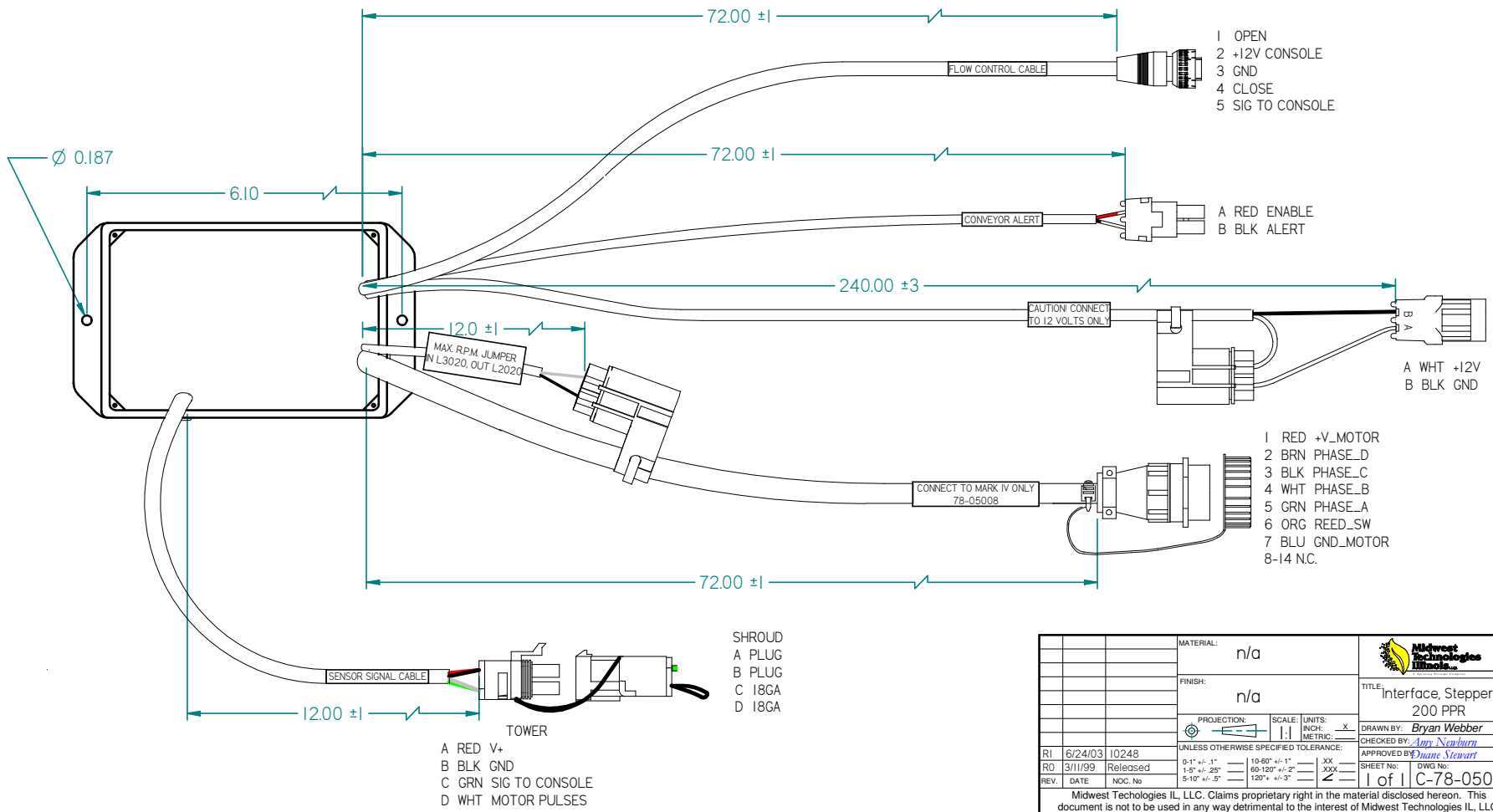
D

1

2

3

4



MATERIAL:		n/a			
FINISH:		n/a			
PROJECTION:		SCALE: UNITS: INCH: X METRIC: 1:1		TITLE: Interface, Stepper, 200 PPR	
UNLESS OTHERWISE SPECIFIED TOLERANCE:		0-1" ± .1" 10-60" ± .1" .XX 1-5" ± .25" 60-120" ± .1" .XX 5-10" ± .5" 120" ± .3" .XX		DRAWN BY: Bryan Webber	
RI	6/24/03	10248		CHECKED BY: Amy Newburn	
RO	3/11/99	Released		APPROVED BY: Duane Stewart	
REV.	DATE	DOC. No		SHEET No: 1 of 1	DWG No: C-78-05008
Midwest Technologies IL, LLC. Claims proprietary right in the material disclosed herein. This document is not to be used in any way detrimental to the interest of Midwest Technologies IL, LLC.					