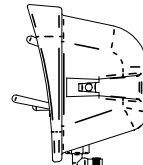
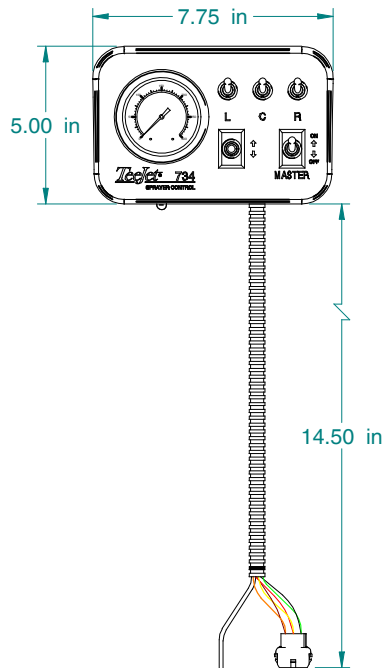


A

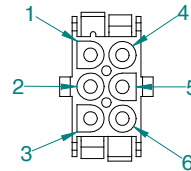
B

C

D



Pressure Gauge Inlet
Thread- 5/16 - 24



Power 14ga, 15amp Fuse
Color-Red, Battery +12v

Ring Term. 14ga 3/8" ID
Color-Black, (-) Ground

Valve Extension and End Cable Connector

Pin No.	Wire Color	Signal Name
1	Orange	Section 3
2	Yellow	Section 2
3	Green	Section 1
4	Brown	Regulating Valve (-)
5	Red	Regulating Valve (+)
6	Black	Section Ground

Part Number	Description
75-50022	734 Housing w/100 psi Liquid Gauge
75-50023	734 Housing w/160 psi Liquid Gauge
75-50024	734 Housing w/300 psi Liquid Gauge
75-50025	734 Housing w/100 psi Dry Gauge
75-50026	734 Housing w/7 bar Dry Gauge
75-50027	734 Housing w/150 psi Dry Gauge

Notes:

- Designed to give the sprayer operator complete control from the operator's station.
- Spraying pressure and individual boom selection can be easily monitored and adjusted to ensure accurate application.
- One piece cover design helps keep moisture and dust from entering console
- All components are user replaceable to minimize down time.

MATERIAL:		See Notes			
FINISH:		See Notes			
PROJECTION:		SCALE:	UNITS:	TITLE: 48216-100L CNTRL Housing 100 PSI Liq.	
UNLESS OTHERWISE SPECIFIED TOLERANCE:		1:4	X	DRAWN BY: <i>Rayan Baker</i>	
R0 9/19/02 010107		0-.1" +/- .01"	10-60" +/- .1"	CHECKED BY: <i>Rayan Baker</i>	
REV.	DATE	NOC. No.	1:5" +/- .005"	APPROVED BY: <i>Scott Leuder</i>	
			5-10" +/- .5"	SHEET No: 1 of 4	
			120" +/- 3"	DWG No: C-75-50022	
Midwest Technologies IL, LLC. Claims proprietary right in the material disclosed hereon. This document is not to be used in any way detrimental to the interest of Midwest Technologies IL, LLC.					

1

2

3

4

A

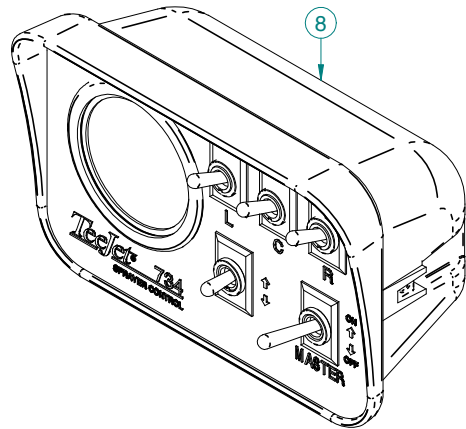
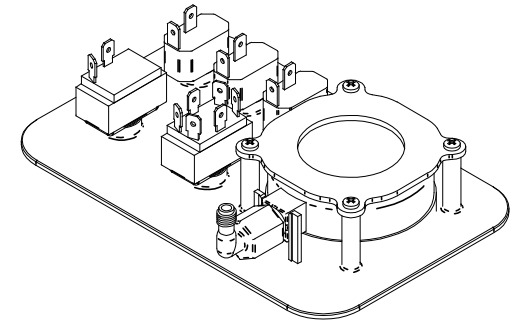
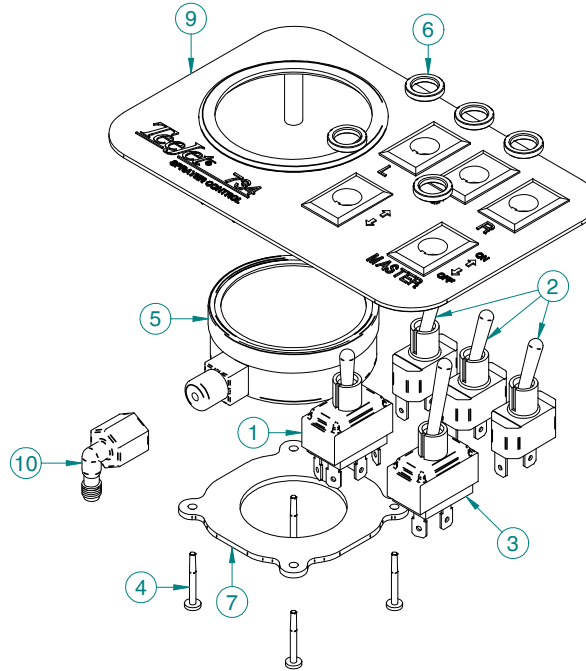
B


C

D

Liquid Parts List

Item	Description	Part Number	QTY	U.M.
1	CP36985-Commat Switch AD	32-50006	1	EA
2	CP36984-Commat Switch BM	32-50007	3	EA
3	CP21477-Commat Sw, Master	32-50008	1	EA
4	Screw, Self Threading, BLk	350-2610	4	EA
5	Gauge, 000 PSI Liquid,	51-20000	1	EA
5	Gauge, 300 PSI Liquid,	51-20007	1	EA
6	CP21966-NP Facenut, Knurled	60-50020	5	EA
7	CP48219-PHO Plate Gauge	64-50017	1	EA
8	CP36980-Pho Cover, Back F/734	64-50018	1	EA
9	CP48218-PHD Panel, Front	64-50019	1	EA
10	CP36986-NYB Elbow, Gauge	67-20000	1	EA



MATERIAL:		See Notes			
FINISH:		See Notes			
PROJECTION:		SCALE:	UNITS:	TITLE: 48216-100L CNTRL Housing 100 PSI Liq.	
UNLESS OTHERWISE SPECIFIED TOLERANCE:		1:2	INCH: X METRIC: X	DRAWN BY: <i>Rayan Baker</i> CHECKED BY: <i>Scott Leiber</i>	
R0	9/19/02	010107	0.1" ± .01" 10-60" ± .1" X .XX .05	APPROVED BY: <i>Scott Leiber</i>	
REV.	DATE	NDC No.	1.5" ± .25" 60-120" ± .2" XXX 5-10" ± .5" 120" ± .3" Z	SHEET No: 2of4 DWG No: C-75-50022	
Midwest Technologies IL, LLC. Claims proprietary right in the material disclosed herein. This document is not to be used in any way detrimental to the interest of Midwest Technologies IL, LLC.					

A

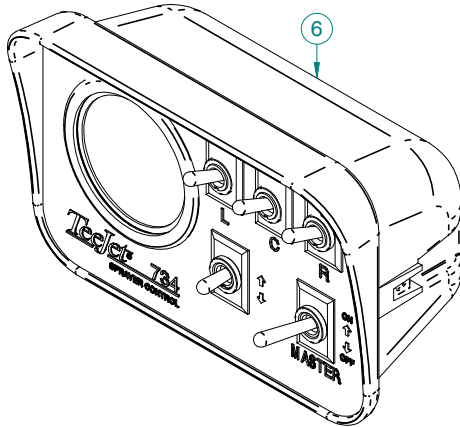
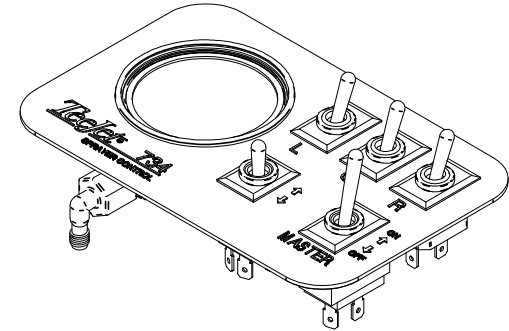
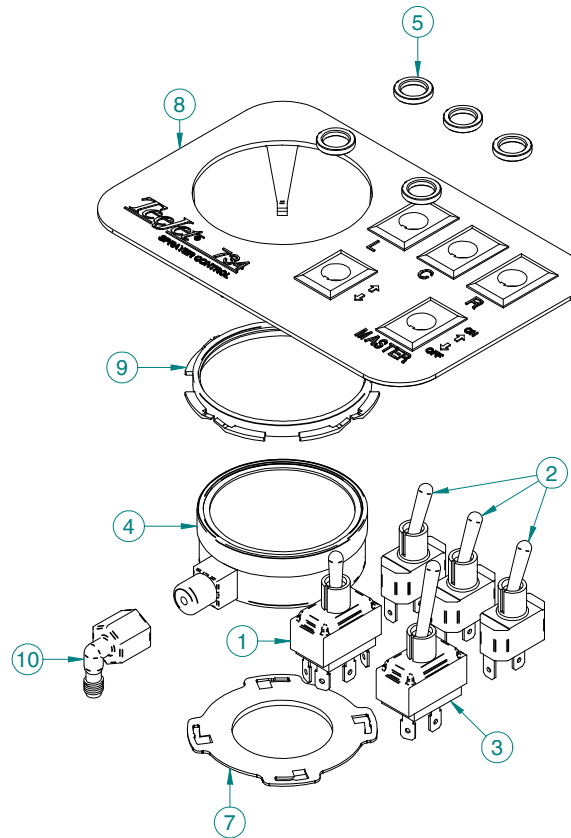
B

C

D

Dry Parts List

Item	Description	Part Number	QTY	U.M.
1	Cp36985-Commat SW Adjust	32-50006	1	EA
2	CP36984-Commat SW Boom	32-50007	3	EA
3	CP21477-Commat SW Master	32-50008	1	EA
4	Gauge, 7 bar Dry	51-20004	1	EA
4	Gauge, 150 PSI, Dry	51-20005	1	EA
4	Gauge, 100 PSI, Dry	51-20009	1	EA
4	Gauge, 100 PSI, Dry	51-20009	1	EA
5	CP21966-NP Facenut, Knurled	60-50020	5	EA
6	CP36980-Pho-Cover Back F1734	64-50018	1	EA
7	CP36994-PHO Gauge Lock	64-50020	1	EA
8	CP36995-PHO Panel, Front	64-50021	1	EA
9	CP36982-PHO Ring Mount.	64-50022	1	EA
10	CP36986-NYB Elbow, Gauge	67-20000	1	EA



		MATERIAL:	See Notes	
		FINISH:	See Notes	
		PROJECTION:		TITLE: 37000-100D CNTRL Housing 100 PSI Dry
		SCALE:	1:2	DRAWN BY: <i>Rayan Baker</i> CHECKED BY: <i>Scott Leiker</i> APPROVED BY: <i>Scott Leiker</i>
		UNLESS OTHERWISE SPECIFIED TOLERANCE:	0-1" ± .1" 10-60" ± .1" .XX .05 1-5" ± .25" 60-120" ± .2" .XX 5-10" ± .5" 120" ± .3" .XX	SHEET No: 3of4 DWG No: C-75-50022
R0	9/19/02	010107		
REV.	DATE	NDC No		

Midwest Technologies IL, LLC. Claims proprietary right in the material disclosed herein. This document is not to be used in any way detrimental to the interest of Midwest Technologies IL, LLC.

A

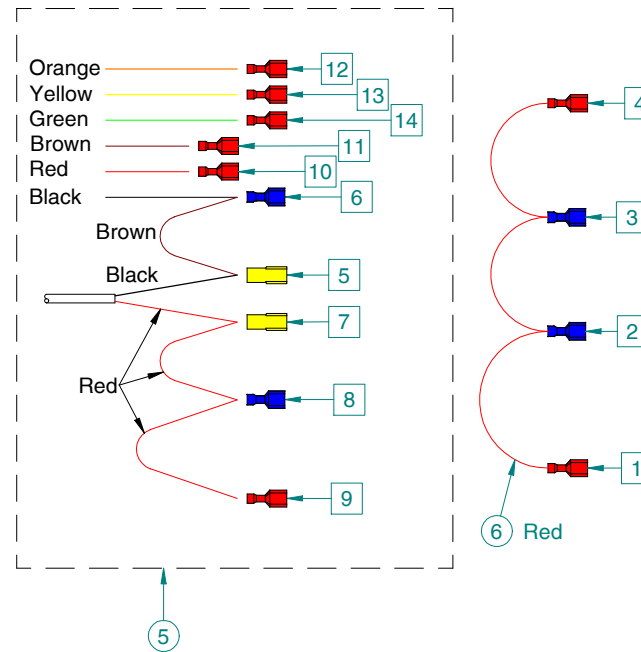
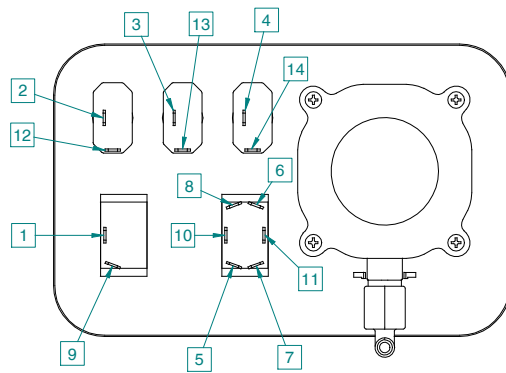
B



C

D

Wiring Harness

Item	Description	Part Number	QTY	U.M.
5	CP36987-Commat Wire Harness	45-20226	1	EA
6	CP36989-Commat Wire, Jumper	45-20227	1	EA



		MATERIAL: See Notes		 Midwest Technologies Illinois	
		FINISH: See Notes			
		PROJECTION: 		TITLE: 48216-100L CNTRL Housing 100 PSI Liq.	
		SCALE: UNITS: X 1:2 INCH METRIC:		DRAWN BY: <i>Rayan Baker</i> CHECKED BY: <i>Scott Linder</i>	
		UNLESS OTHERWISE SPECIFIED TOLERANCE:		APPROVED BY: <i>Scott Linder</i>	
R0	9/19/02	010107	0-.1" +.01"	10-60" +.1"	XX .05
REV.	DATE	NDC No.	1-.5" +.02"	60-120" +.2"	XXX
			5-10" +.5"	120" +.3"	ZZ
			SHEET No: 4 of 4		
			DWG No: C-75-50022		
Midwest Technologies IL, LLC. Claims proprietary right in the material disclosed hereon. This document is not to be used in any way detrimental to the interest of Midwest Technologies IL, LLC.					