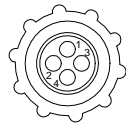
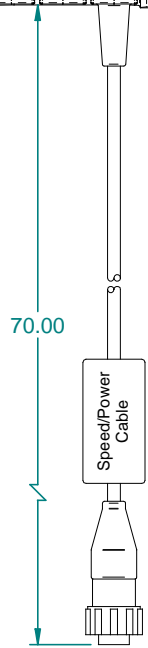
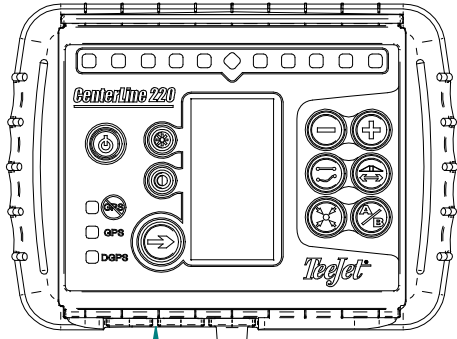


A

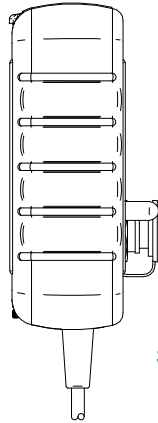


Front View

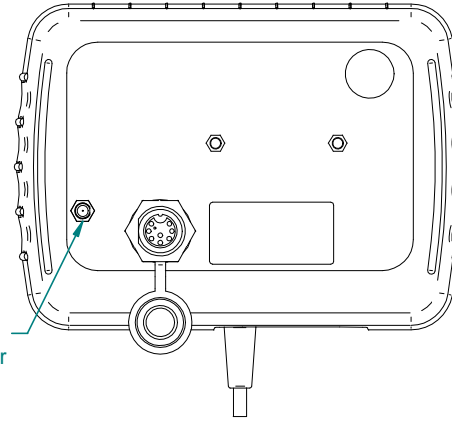
AMP Connector
4 pos. w/Pins

Pos	Color	Function
1	Black	Ground
2	White	Speed Signal
3	Red	Power (+12v)
4	Green	Radar Sense

B

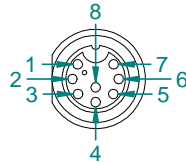


C



GPS Ant.
SMA Connector

Conxall Connector
8 pos. w/Skts



Pos	Function
1	Ground
2	(+12v)
3	CAN Lo
4	CAN Lo
5	Receive Data
6	CAN Hi
7	CAN Hi
8	Transmit Data

D

MATERIAL: N/A			
FINISH: N/A			
PROJECTION:		SCALE: UNITS: X	TITLE: Console, CenterLine 220
UNLESS OTHERWISE SPECIFIED TOLERANCE:		METRIC: 1:2	DRAWN BY: Bryan Reese
0-1" +/- .1"		10-60" +/- .1"	CHECKED BY: Amy Neuhoff
1-5" +/- .25"		60-120" +/- .3"	APPROVED BY: Amy Neuhoff
5-10" +/- .5"		120" +/- .3"	SHEET No: 1 of 1
REV. DATE	NO. No	XX	DWG No: C-75-30031
R0 11/15/06	10670		

TeeJet Technologies Claims proprietary right in the material disclosed herein. This document is not to be used in any way detrimental to the interest of TeeJet Technologies.

1
2
3
4