

A

B

C

D

1

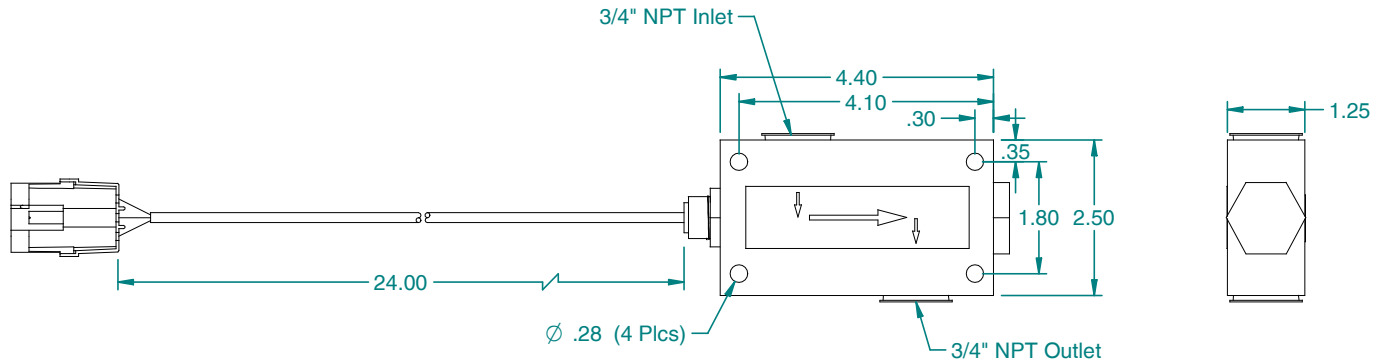
2

3

4


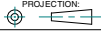
WeatherPack  
3 Pos

Position	Color	Function
A	Blue	Ground
B	Brown	+12v
C	Black	Signal



Notes:

- 1.0 All Dimensions Displayed in "Inches" Unless Otherwise Specified.
- 2.0 Material: Box: Black Delrin

MATERIAL: See Notes			
FINISH: N/A		TITLE: Sensor Flow Assy. CAN CFM, .05-.5 GPM	
PROJECTION: 	SCALE: UNITS: X METRIC: 1:2	DRAWN BY: <i>Rayan Reiser</i>	
UNLESS OTHERWISE SPECIFIED TOLERANCE:		CHECKED BY: <i>Ray Reiser</i>	
0-1" +/- .1"	10-60" +/- .1"	XX	SHEET No: DWS No:
1-5" +/- .25"	60-120" +/- .2"	XXX	1 of 1 C-57-00069
5-10" +/- .5"	120" +/- .3"	Z	APPROVED BY: <i>Scott Leuber</i>
R0 3/3/03 010198 REV. DATE DOC. No. Midwest Technologies IL, LLC. Claims proprietary right in the material disclosed herein. This document is not to be used in any way detrimental to the interest of Midwest Technologies IL, LLC.			