

A

B

C

D

1

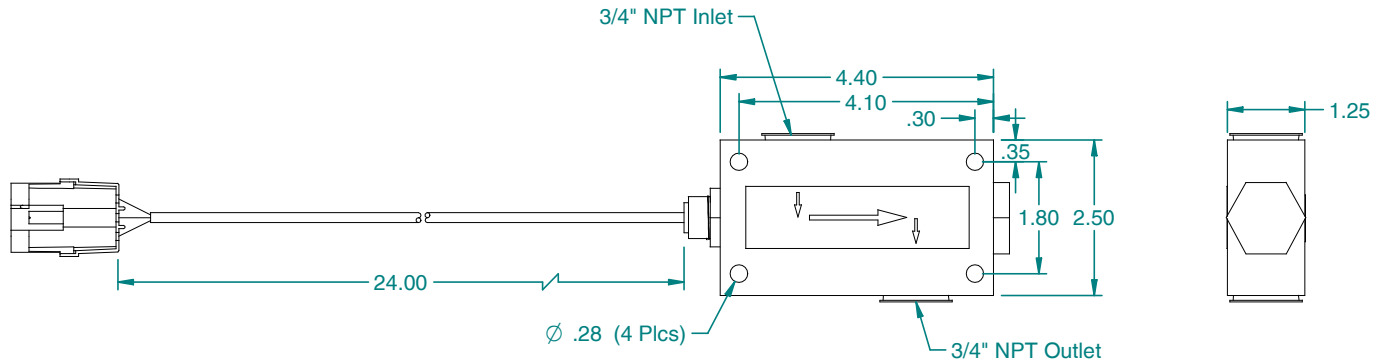
2

3

4


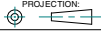
WeatherPack
3 Pos

Position	Color	Function
A	Blue	Ground
B	Brown	+12v
C	Black	Signal



Notes:

- 1.0 All Dimensions Displayed in "Inches" Unless Otherwise Specified.
- 2.0 Material: Box: Black Delrin

MATERIAL: See Notes												
FINISH: N/A		TITLE: Sensor Flow Assy. CAN CFM, 1.1-4 GPM										
PROJECTION: 	SCALE: UNITS: X METRIC: 1:2	DRAWN BY: <i>Rayan Reiser</i>										
UNLESS OTHERWISE SPECIFIED TOLERANCE:		CHECKED BY: <i>Ray Reiser</i>										
<table border="0"> <tr> <td>0-1" +/- .1"</td> <td>10-60" +/- .1"</td> <td>XX</td> </tr> <tr> <td>1-5" +/- .25"</td> <td>60-120" +/- .2"</td> <td>XXX</td> </tr> <tr> <td>5-10" +/- .5"</td> <td>120" +/- .3"</td> <td>Z</td> </tr> </table>	0-1" +/- .1"	10-60" +/- .1"	XX	1-5" +/- .25"	60-120" +/- .2"	XXX	5-10" +/- .5"	120" +/- .3"	Z	APPROVED BY: <i>Scott Leuber</i>		
0-1" +/- .1"	10-60" +/- .1"	XX										
1-5" +/- .25"	60-120" +/- .2"	XXX										
5-10" +/- .5"	120" +/- .3"	Z										
<table border="0"> <tr> <td>RO</td> <td>3/3/03</td> <td>010198</td> </tr> <tr> <td>REV.</td> <td>DATE</td> <td>DOC. No</td> </tr> </table>	RO	3/3/03	010198	REV.	DATE	DOC. No	SHEET No: 1 of 1 DWS No: C-57-00068					
RO	3/3/03	010198										
REV.	DATE	DOC. No										
Midwest Technologies IL, LLC. Claims proprietary right in the material disclosed herein. This document is not to be used in any way detrimental to the interest of Midwest Technologies IL, LLC.												