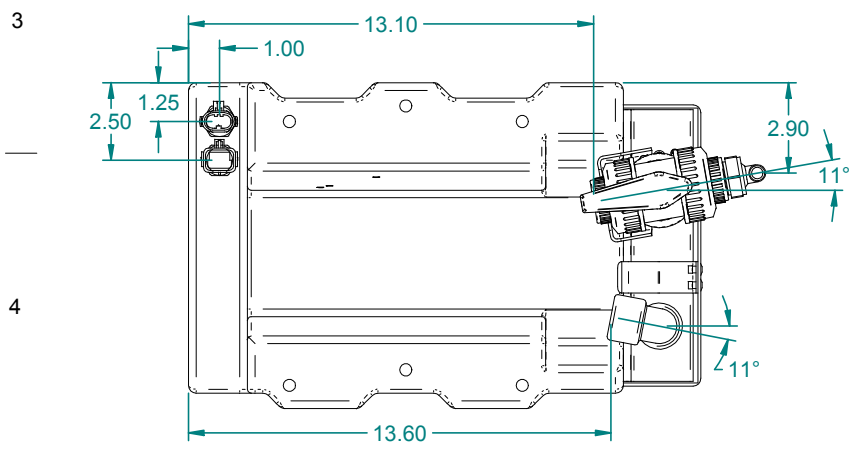




**SECTION A-A**

Optional  
(Chemical Flow Sensor)



Note: 1.0 All dimensions are displayed in 'Inches', unless otherwise specified.

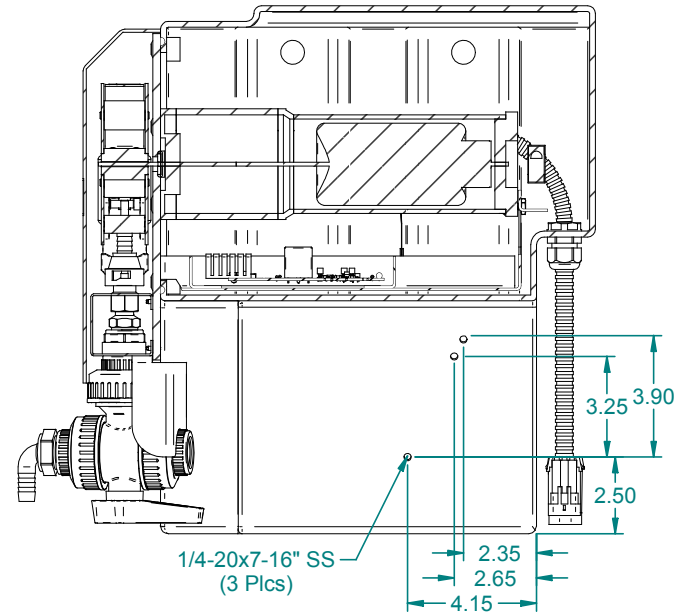
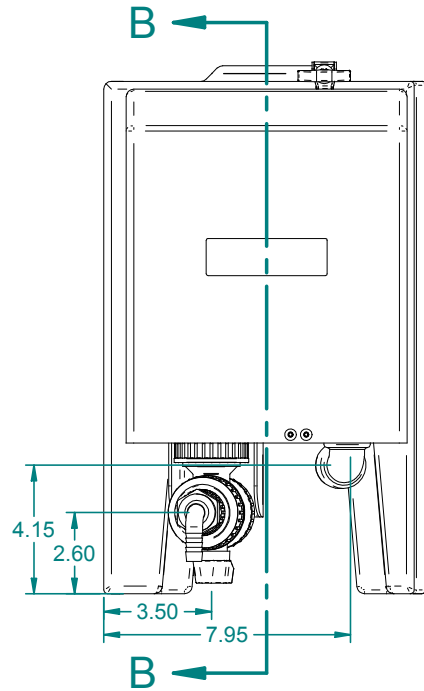
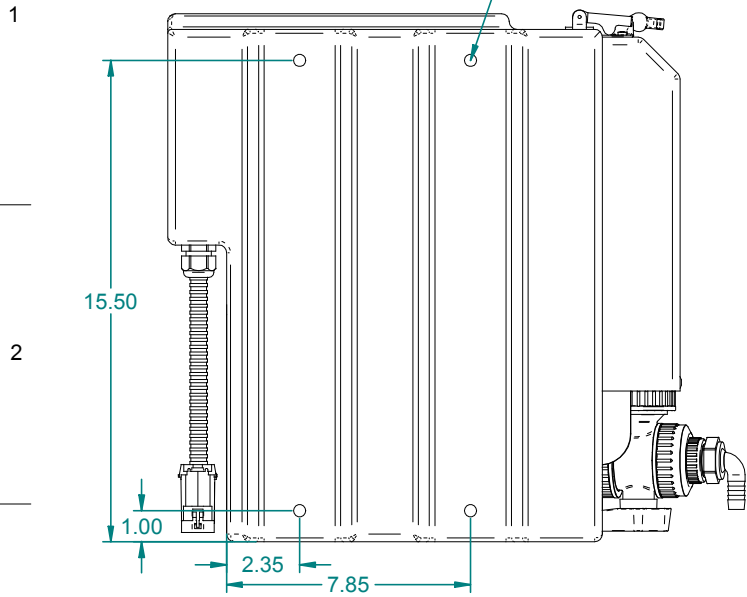
MATERIAL:		N/A			
FINISH:		N/A			
PROJECTION:		SCALE:	UNITS:	TITLE:	
		1:4	X	Pump Assembly	
UNLESS OTHERWISE SPECIFIED TOLERANCE:		DRAWN BY: <i>Bryan Reiser</i>		CHECKED BY: <i>Alan Travers</i>	
0.1" +/- .1"    10.00" +/- .1"    .XX .02 1.5" +/- .25"    60.100" +/- .2"    XXX .005 5.10" +/- .5"    120" +/- .3"    Z		APPROVED BY: <i>Alan Travers</i>		SHEET No: <b>1 of 3</b>	
R0 6/3/04 010113 REV. DATE DOC. No.	Midwest Technologies IL, LLC. Claims proprietary right in the material disclosed hereon. This document is not to be used in any way detrimental to the interest of Midwest Technologies IL, LLC.		DWG No: <b>C-54-02000</b>		

A

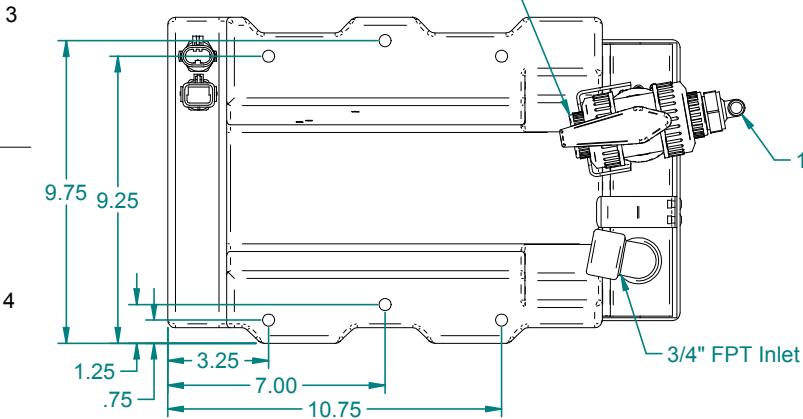
B

C


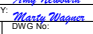
D

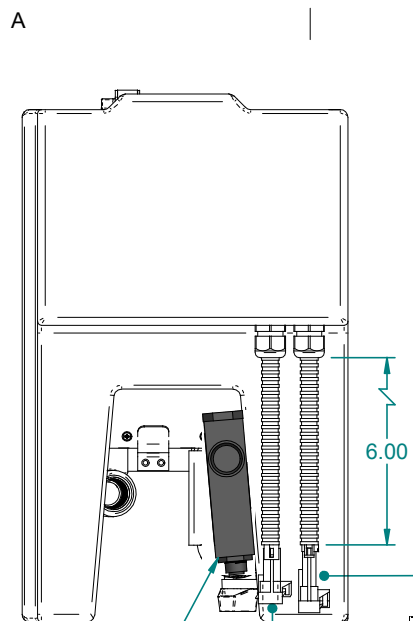


### SECTION B-B



Note: 1.0 All dimensions are displayed in 'Inches', unless otherwise specified.

MATERIAL:		N/A			
FINISH:		N/A			
PROJECTION:		SCALE: UNITS: X INCH METRIC: 1:4		TITLE: Pump Assembly	
UNLESS OTHERWISE SPECIFIED TOLERANCE:		DRAWN BY: Bryan Reiser		CHECKED BY: Amy Traylor	
R0 6/3/04 010113		APPROVED BY: 		SHEET No: 2 of 3	
REV. DATE DOC. No.		0-1" ± .1" 10-60" ± .1" 3XX .02 1-5" ± .25" 60-120" ± .3" 1XX .05 5-10" ± .5" 120" ± .3" 1XX .05		DWG No: C-54-02000	
Midwest Technologies IL, LLC. Claims proprietary right in the material disclosed hereon. This document is not to be used in any way detrimental to the interest of Midwest Technologies IL, LLC.					



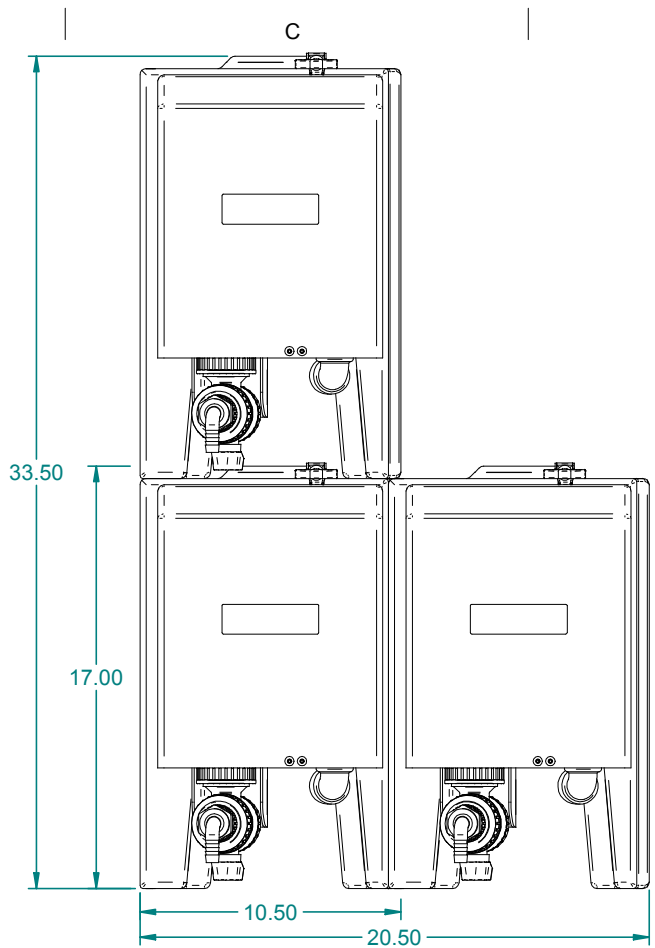
Optional  
(Chemical Flow Sensor)

Control  
Metri-Pack 150  
Shroud 6pos.

Pos.	Color	Function
A	Red	(+12v) Con.
B	Black	Clean Ground
C	Brown	Calibration
D	White	Run_Lo
E	Green	RPM
F	n/a	

Power  
Metri-Pack 480  
Shroud 2 pos.

Pos	Color	Function
A	White	(+12v) Battery
B	Black	Bat. Ground



Note: 1.0 All dimensions are displayed in 'Inches', unless otherwise specified.

MATERIAL:		N/A			
FINISH:		N/A			
PROJECTION:		SCALE: UNITS: X		TITLE:	
UNLESS OTHERWISE SPECIFIED TOLERANCE:		1:4		Pump Assembly	
REV. DATE		NO. No.		DRAWN BY: <i>Bryan Reiser</i>	
R0 6/3/04 010113		0.1" +/- .1" 10-60" +/- .1" XXX .02		CHECKED BY: <i>Alan Trudner</i>	
REV. DATE		NO. No.		APPROVED BY: <i>Bryan Reiser</i>	
1.5" +/- .25" 60-120" +/- .5" XXX .005		120" +/- .3" XXX .005		SHEET No: <b>3of3</b>	
5-10" +/- .5" 120" +/- .3" XXX .005		120" +/- .3" XXX .005		DWG No: <b>C-54-02000</b>	
Midwest Technologies IL, LLC. Claims proprietary right in the material disclosed hereon. This document is not to be used in any way detrimental to the interest of Midwest Technologies IL, LLC.					