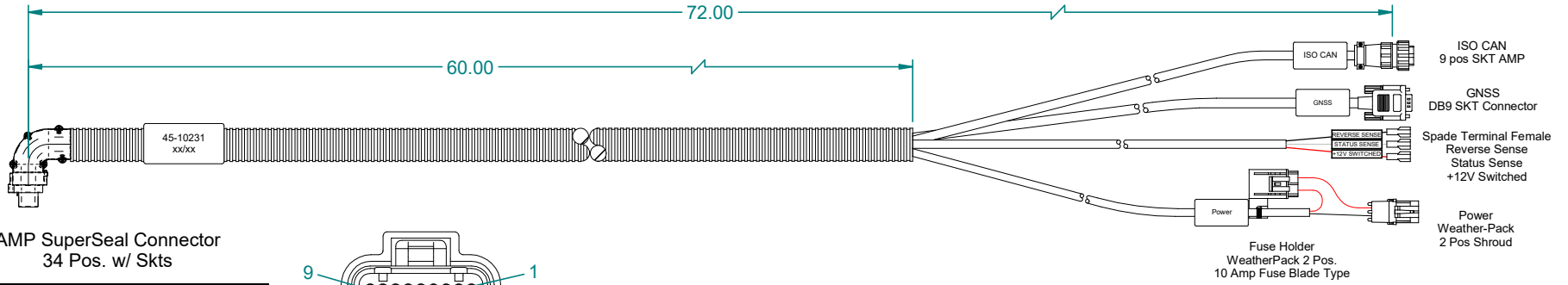


A

B

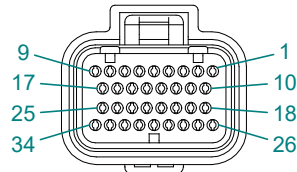
C

D



AMP SuperSeal Connector
34 Pos. w/ Skts

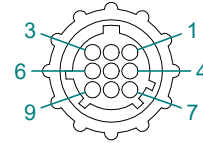
Pos.	Color	Function
1	Red	(+12v) V Out Switched
2	Black	ISO CAN Ground
3	White	ISO CAN H
4	Yellow	ISO CAN H
5	Green	ISO CAN L
6	Blue	ISO CAN L
7	Plug	DIAG Ground
8	Plug	DIAG RX
9	Plug	DIAG TX
10	Plug	(+12v) V Out Switched
11	Plug	TJ CAN Ground
12	Plug	TJ CAN H
13	Plug	TJ CAN H
14	Plug	TJ CAN L
15	Plug	TJ CAN L
16	Orange	GNSS In RX
17	Red	GNSS In TX
18	Black	Ground
19	Plug	IGN Sense In
20	Black	Reverse Sense In
21	White	Status Sense In
22	Green	GNSS Ground
23	Plug	3rd Party GND (not available)
24	Plug	3rd Party RX (not available)
25	Plug	3rd Party TX (not available)
26	Red	ISO CAN (+12v) V In
27	Red	(+12v) 3 AMP V Out Switched ButtSplice
28	Plug	Ground
29	Plug	Ground
30	Plug	Speed Out (GS)
31	Plug	Ground (GS)
32	Plug	Debug GND (not available)
33	Plug	Debug RX (not available)
34	Plug	Debug TX (not available)



Front View

ISO CAN
9 pos SKT AMP

Pos.	Color	Function
1	Red	(+12v) V Out Switched
2	Green	ISO CAN L
3	Blue	ISO CAN L
4	White	ISO CAN H
5	Yellow	ISO CAN H
6	n/a	
7	Purple	(+12v) V In
8	n/a	
9	Black	Ground

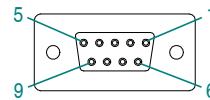


Front View

GNSS

DB9 SKT Connector

Pos.	Color	Function
1	n/a	
2	Red	GNSS In TX
3	Orange	GNSS In RX
4	n/a	
5	Green	GNSS Ground
6	n/a	
7	n/a	
8	n/a	
9	n/a	



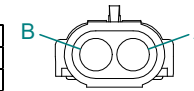
Front View

Spade Terminal Female
Reverse Sense
Status Sense
+12V Switched

Color	Function
Black	Reverse Sense
White	Status Sense
Red	(+12V) Switched

Power
Weather-Pack
2 Pos Shroud

Pos	Color	Function
A	Red	(+12 volts) In
B	Black	Ground



Front View

MATERIAL:		n/a			
FINISH:		n/a			
PROJECTION:		SCALE: UNITS: INCH: X METRIC: 1:2		TITLE: Harness, 908-ISO-G-PWP-RS-PO(+12V ONLY)	
UNLESS OTHERWISE SPECIFIED TOLERANCE:		APPROVED BY: <i>Roy Sherida</i>		CHECKED BY: <i>Greg Root</i>	
R1	5/11/23	Updated	0-1" +/- .1"	10-60" +/- .1"	DRAWN BY: <i>Bryan Reiser</i>
R0	1/16/23	Released	1-5" +/- .25"	60-120" +/- .2"	SHEET No: <i>1 of 1</i>
REV.	DATE	NOC. No	5-10" +/- .5"	120" +/- .5"	DWG No: C-45-10240