

A

B

C

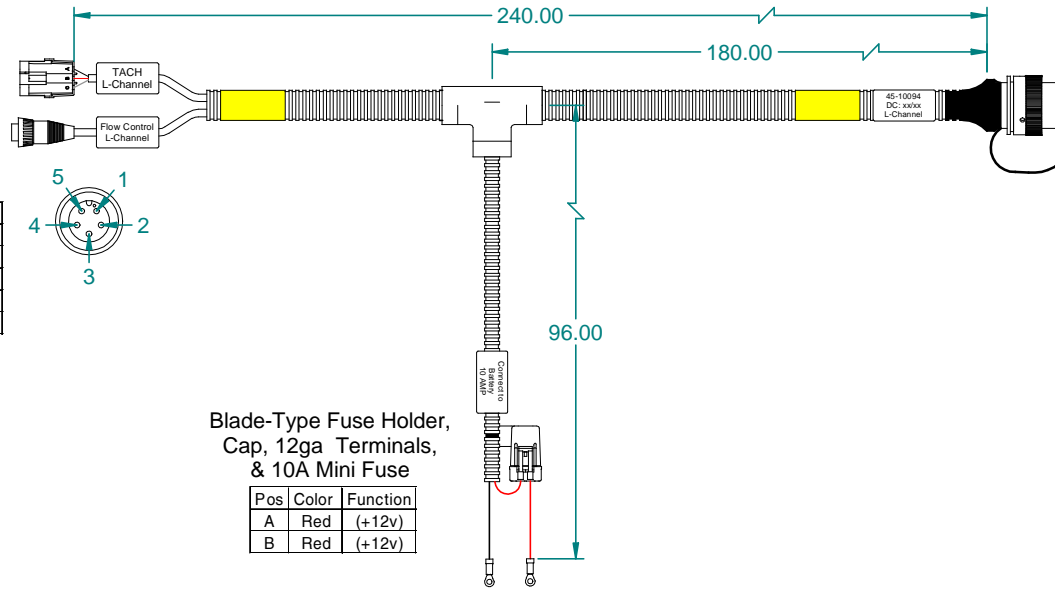
D

TACH  
Weather-Pack  
Shroud  
3 Pos w/Pins

Pos.	Color	Function
A	Black	Ground TACH
B	Red	(+12v) TACH
C	White	Signal TACH

Flow Control  
Conxall  
5 pos. w/Skts

Pos.	Color	Function
1	Black	Open
2	Red	(+12v) FlowMeter
3	Green	Ground
4	White	Close
5	Brown	FlowMeter Sig.



Blade-Type Fuse Holder,  
Cap, 12ga Terminals,  
& 10A Mini Fuse

Pos	Color	Function
A	Red	(+12v)
B	Red	(+12v)

5/16" Dia. 10-12ga  
Noninsulated Ring Terminal,  
Red 12ga +V  
Black 12ga Ground

Deutsch  
Receptacle 19 Pos.  
w/Pins

Pos.	Color	Function
1	Black	Open
2	Red	(+12v) FlowMeter
3	Green	Ground
4	White	Close
5	Brown	FlowMeter Sig.
6	Plug	
7	Plug	
8	Plug	
9	Black	Ground TACH
10	Red	(+12v) Battery
11	Red	(+12v) TACH
12	Plug	
13	White	Signal TACH
14	Black	Ground Battery
15	Plug	
16	Plug	
17	Plug	
18	Plug	
19	Plug	

Note: 1.0 All dimensions are displayed in "Inches" Unless otherwise specified.

MATERIAL: n/a		Midwest Technologies Illinois	
FINISH: n/a		TITLE: EXACTRIX, TRACTOR L-CHANNEL	
PROJECTION:	SCALE: UNITS: X METRIC: 1:2	DRAWN BY: Bryan Reiser	
UNLESS OTHERWISE SPECIFIED TOLERANCE:		CHECKED BY: Amy Trudner	
0-1" +/- .1"	10-60" +/- .1"	XX	SHEET No: DWG No:
1-5" +/- .25"	60-120" +/- .2"	XX	1 of 1 C-45-10094
5-10" +/- .5"	120" +/- .3"	XX	
Midwest Technologies IL, LLC. Claims proprietary right in the material disclosed herein. This document is not to be used in any way detrimental to the interest of Midwest Technologies IL, LLC.			

1

2

3

4