

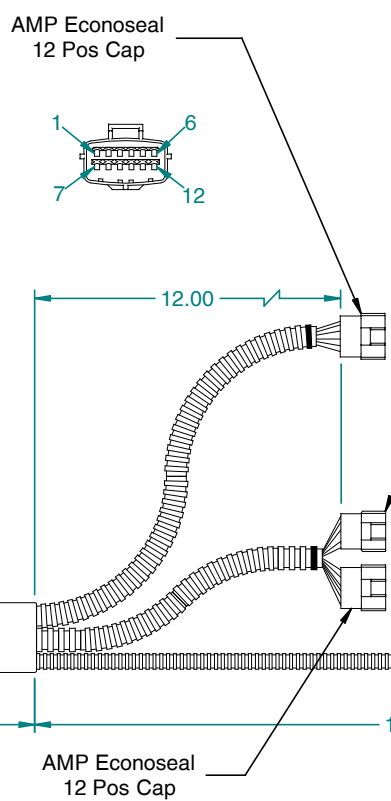
A
AMP 24-socket
Connector

Pos.	Color	Function
1	Blk/Wht/Red	Open
2	Wht/Blk/Red	Close
3	Orange	Left BM/main fold energize
4	Gm/Wht	Left BM/Main unfold energize
5	Green	Right BM/Wing fold energize
6	Org/Red	Right BM/Wing unfold energize
7	Blue	Wheels out energize
8	Blu/Blk	Wheels in energize
9	Red	Aux. 1 PWR out energize
10	Black	Ground
11	Gm/Blk	Ground
12	Blu/Wht	Ground
13	Org/Gm	Ground
14	Red/Blk/Wht	n/a
15	White	Aux. 2 PWR out energize
16	Blu/Red	Aux. 1 PWR in energize
17	Red/Gm	Aux. 2 PWR in energize
18	Blk/Wht	Left BM up energize
19	Red/Wht	Left BM down energize
20	Red/Blk	Center rack up energize
21	Org/Blk	Center rack down energize
22	Wht/Red	Right BM down energize
23	Blk/Red	Right BM up energize
24	Wht/Blk	Master energize

B

Pos.	Color	Function
1	Yellow	Master energize
2	Blue	Master ground
3	Orange	Wheels out energize
4	Brown	Wheels out ground
5	Green	Left BM/Main unfold, energize
6	White	Left BM/Main fold ground
7	Red	Right BM/Wing fold energize
8	Black	Right BM/Wing fold ground
9	Green	Aux. 1 PWR out energize
10	White	Aux. 1 PWR out ground
11	Red	Aux. 2 PWR out energize
12	Black	Aux. 2 PWR out ground

C



D

Pos.	Color	Function
1	Blk/Red	Right BM up energize
2	Blue	Right BM up ground
3	Wht/Red	Right BM down energize
4	Black	Right BM down Ground
5	Org/Red	Right BM/Wing unfold energize
6	Wht/Blk	Right BM/Wing unfold ground
7	Blu/Red	Aux 1 PWR in energize
8	Blk/Wht/Red	Aux 1 PWR in ground
9	Red/Gm	Aux 2 PWR in energize
10	Org/Gm	Aux 2 PWR in ground

**WeatherPack
2 Pos Shroud+Tower**

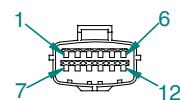
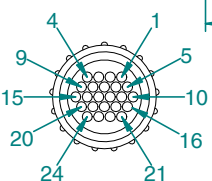
Pos	Color	Function
A	Red	Open
B	Black	Close

1

2

3

4



**AMP Econoseal
12 Pos Cap**

Pos.	Color	Function
1	Org/Blk	Center rack down energize
2	Gm/Blk	Center rack up ground
3	Red/Blk	Center rack up energize
4	White	Center rack down ground
5	Blu/Blk	Wheels in energize
6	Red	Wheels in ground
7	Red/Wht	Left BM down energize
8	Green	Left BM up ground
9	Blk/Wht	Left BM up energize
10	Orange	Left BM down ground
11	Gm/Wht	Left BM/main fold energize
12	Blu/Wht	Left BM/main unfold ground

Notes: 1.0 All dimensions are displayed in "Inches"
Unless otherwise specified.

MATERIAL:		N/A		
FINISH:		N/A		
PROJECTION:		SCALE:	UNITS:	TITLE: Harness, 8100 Valve Bank DRAWN BY: J.D. Martin CHECKED BY: Amy Probert APPROVED BY: Amy Probert
UNLESS OTHERWISE SPECIFIED TOLERANCE:		1:4	X	
REV.	DATE	NOC No	0-1" ± .1" N/A 1-5" ± .25" N/A 5-10" ± .5" N/A	10-60" ± 1" N/A 60-120" ± 2" N/A 120" ± 3" N/A
R0		2/05/03	010081	SHEET No: 1 of 1 DWS No: C-45-10008

Midwest Technologies IL, LLC. Claims proprietary right in the material disclosed hereon. This document is not to be used in any way detrimental to the interest of Midwest Technologies IL, LLC.