

A

B

C

D

1

2

3

4

### PCM 30 Pos. Metripack

Pos.	Color	Function
A1	Red	CAN (+V) Out
A2	Orange	CAN High
A3	Black	CAN Low
B1	Green	CAN Ground
B2	White	CAN Shield
B3	Black	Sensor Ground
C1	Black	Sensor 'A' Ground
C2	Black	Sensor 'E' Ground
C3	White	Sensor 'F' Input (A/D)
D1	White	Sensor 'A' Input
D2	n/a	
D3	White	Sensor 'E' Input (A/D)
E1	Red	Sensor 'A' +V (PTC1)
E2	Red	Sensor 'E' +V (PTC2b)
E3	Red	Sensor 'F' +V (PTC2a)
F1	White	Valve Open
F2	n/a	
F3	Black	Sensor 'F' Ground
G1	Green	Valve Close
G2	n/a	
G3	n/a	
H1	n/a	
H2	Black	Bat. Ground Input
H3	White	Sensor 'C' Input
J1	Red	Valve +V (Bat. SW)
J2	n/a	
J3	n/a	
K1	Red	Bat. (+V) Input
K2	n/a	
K3	n/a	

### Sensor 'A' Weatherpack 3 Pos

Position	Color	Function
A	Black	Ground
B	Red	(+V) (PTC1)
C	White	Input

### Sensor 'E' Weatherpack 3 Pos w/Dust Cap

Position	Color	Function
A	Black	Ground
B	Red	(+V) (PTC2b)
C	White	Input (A/D)

### Sensor 'F' Weatherpack 3 Pos w/Dust Cap

Position	Color	Function
A	Black	Ground
B	Red	(+V) (PTC2a)
C	White	Input (A/D)

### Handgun Weatherpack 3 Pos

Position	Color	Function
A	Black	Sensor Ground
B	n/a	
C	White	Sensor 'C' Input

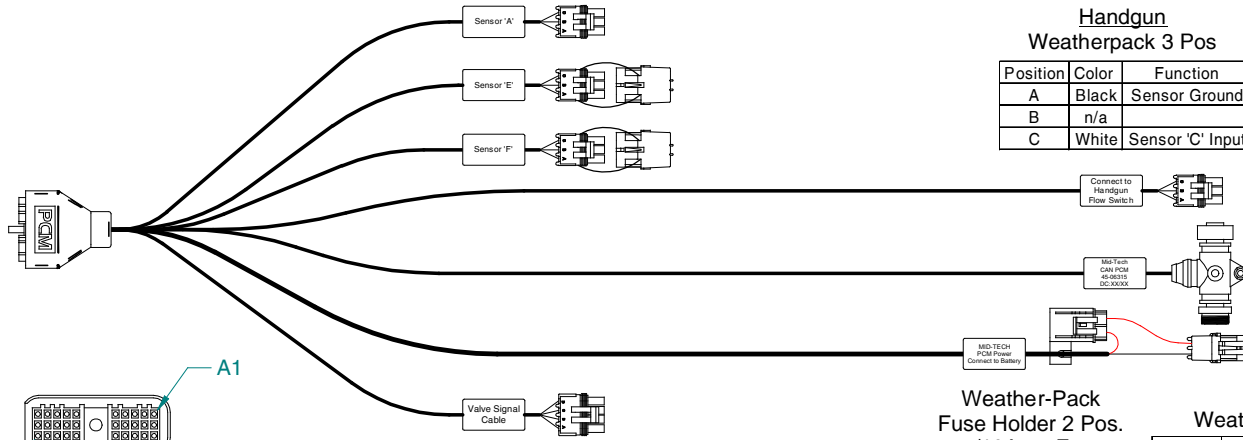
### Weather-Pack Fuse Holder 2 Pos. w/10Amp Fuse

### Power Weatherpack 2 Pos

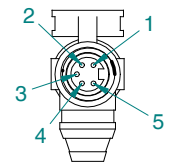
Position	Color	Function
A	Red	Bat. +V Input
B	Black	Bat Ground Input

### Valve Signal Weatherpack 4 Pos

Pos.	Color	Function
A	Red	Bat (+V) Input
B	Green	Valve Close
C	White	Valve Open
D	n/a	

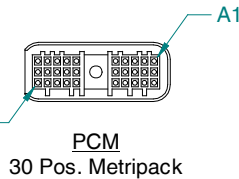


### CAN 'T' Male Side (Pins) Face View



### CAN 'T' 5 Pos

Position	Color	Function
1	White	CAN Shield
2	Red	CAN (+V) Out
3	Green	CAN Ground
4	Orange	CAN High
5	Black	CAN Low



Note: 1.0 All dimensions are displayed in 'Inches'  
Unless otherwise specified.

MATERIAL:		N/A			
FINISH:		N/A		TITLE: Harness PCM w/Inputs A,D,E and Handgun	
PROJECTION:		SCALE: UNITS: X METRIC: 1:2		DRAWN BY: <i>Rayan Reiser</i>	
UNLESS OTHERWISE SPECIFIED TOLERANCE:		0-1" +/- .1" X 1-5" +/- .25" X 5-10" +/- .5" X		CHECKED BY: <i>Steve Saterline</i>	
R0	9/2/04	10414	10-60" +/- .1" XX 90-120" +/- .2" XX 120" +/- .3" Z	APPROVED BY: <i>Steve Saterline</i>	
REV.	DATE	NDC No		SHEET No: 1 of 1	DWS No: C-45-06315
Midwest Technologies IL, LLC. Claims proprietary right in the material disclosed herein. This document is not to be used in any way detrimental to the interest of Midwest Technologies IL, LLC.					