

A

B

C

D

Valve Signal  
Weatherpack 4 Position

Position	Color	Function
A	Red	Valve +V (Bat. SW)
B	Green	Valve Close
C	White	Valve Open
D	n/a	

Sensor 'F'  
Weatherpack  
3 Pos w/Dust Cap

Position	Color	Function
A	Black	Ground
B	Red	(+V) (PTC2a)
C	White	Input (A/D)

Sensor 'E'  
Weatherpack  
3 Pos w/Dust Cap

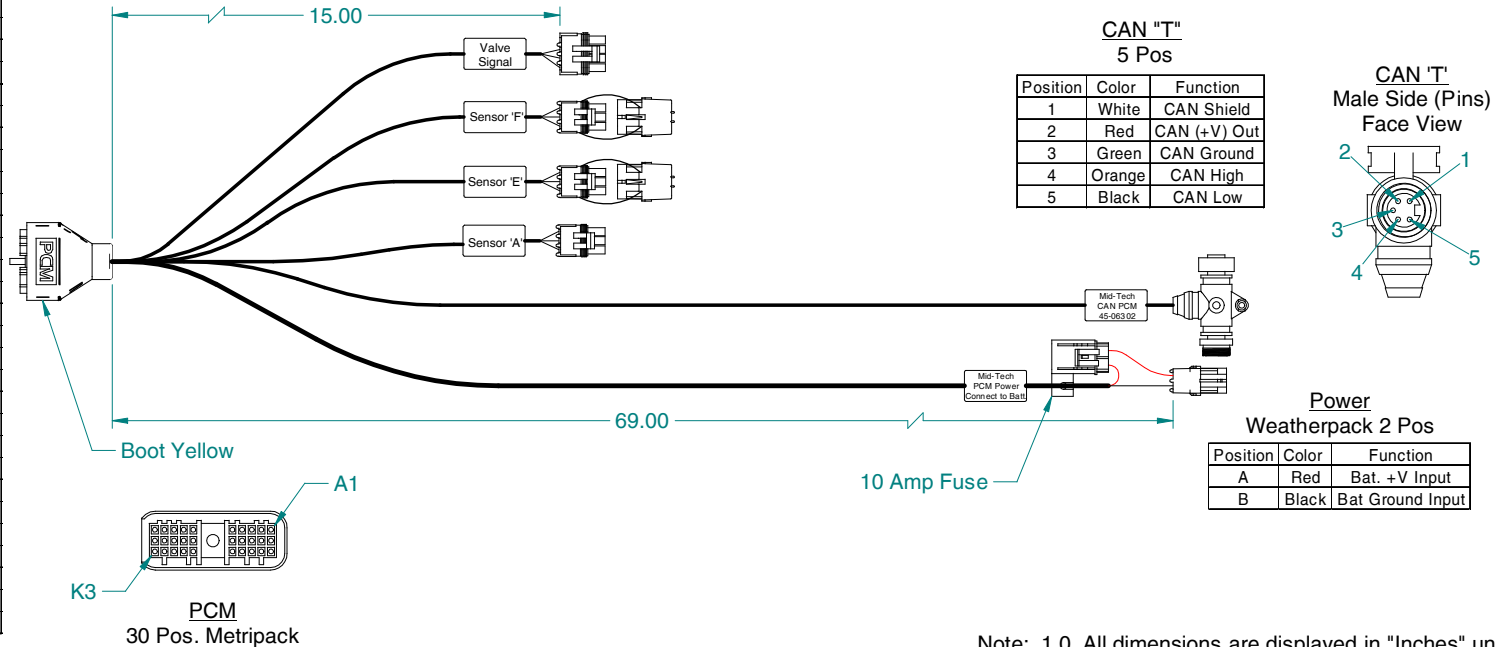
Position	Color	Function
A	Black	Ground
B	Red	(+V) (PTC2b)
C	White	Input (A/D)

Sensor 'A'  
Weatherpack 3 Pos

Position	Color	Function
A	Black	Ground
B	Red	(+V) (PTC1)
C	White	Input

PCM  
30 Pos. Metripack

Pos.	Color	Function
A1	Red	CAN (+V) Out
A2	Orange	CAN High
A3	Black	CAN Low
B1	Green	CAN Ground
B2	White	CAN Shield
B3	n/a	
C1	Black	Sensor 'A' Ground
C2	Black	Sensor 'E' Ground
C3	White	Sensor 'F' Input (A/D)
D1	White	Sensor 'A' Input
D2	n/a	
D3	White	Sensor 'E' Input (A/D)
E1	Red	Sensor 'A' +V (PTC1)
E2	Red	Sensor 'E' +V (PTC2b)
E3	Red	Sensor 'F' +V (PTC2a)
F1	White	Valve Open
F2	n/a	
F3	Black	Sensor 'F' Ground
G1	Green	Valve Close
G2	n/a	
G3	n/a	
H1	n/a	
H2	Black	Bat. Ground Input
H3	n/a	
J1	Red	Valve +V (Bat. SW)
J2	n/a	
J3	n/a	
K1	Red	Bat. (+V) Input
K2	n/a	
K3	n/a	



Note: 1.0 All dimensions are displayed in "Inches" unless otherwise specified.

MATERIAL:		N/A			
FINISH:		N/A			
PROJECTION:		SCALE:	UNITS:	TITLE:	
		1:4	INCH	Cable, PCM, Single, w/PSI Monitor	
UNLESS OTHERWISE SPECIFIED TOLERANCE:		METRIC:		DRAWN BY:	
0-1" +.01" - 1-5" +.02" - 5-10" +.05" -		.XX .XX .XX		CHECKED BY:	
R0 6/30/03 010211		10-60" +.1" - 60-120" +.2" - 120" +.3" -		APPROVED BY:	
REV.	DATE	DATE	NO. No	SHEET No: 1 of 1	
				DWS No: C-45-06303	
Midwest Technologies IL, LLC. Claims proprietary right in the material disclosed herein. This document is not to be used in any way detrimental to the interest of Midwest Technologies IL, LLC.					

4