

A

B

C

D

Valve Weatherpack 4 Pos

Position	Color	Function
A	Red	(+V) (Bat. SW)
B	Green	Valve Close
C	White	Valve Open
D	n/a	

Sensor 'D' Weatherpack 3 Pos w/Dust Cap

Position	Color	Function
A	Black	Ground
B	Red	(+V) (PTC2a)
C	White	Input

Sensor 'B' Weatherpack 3 Pos w/Dust Cap

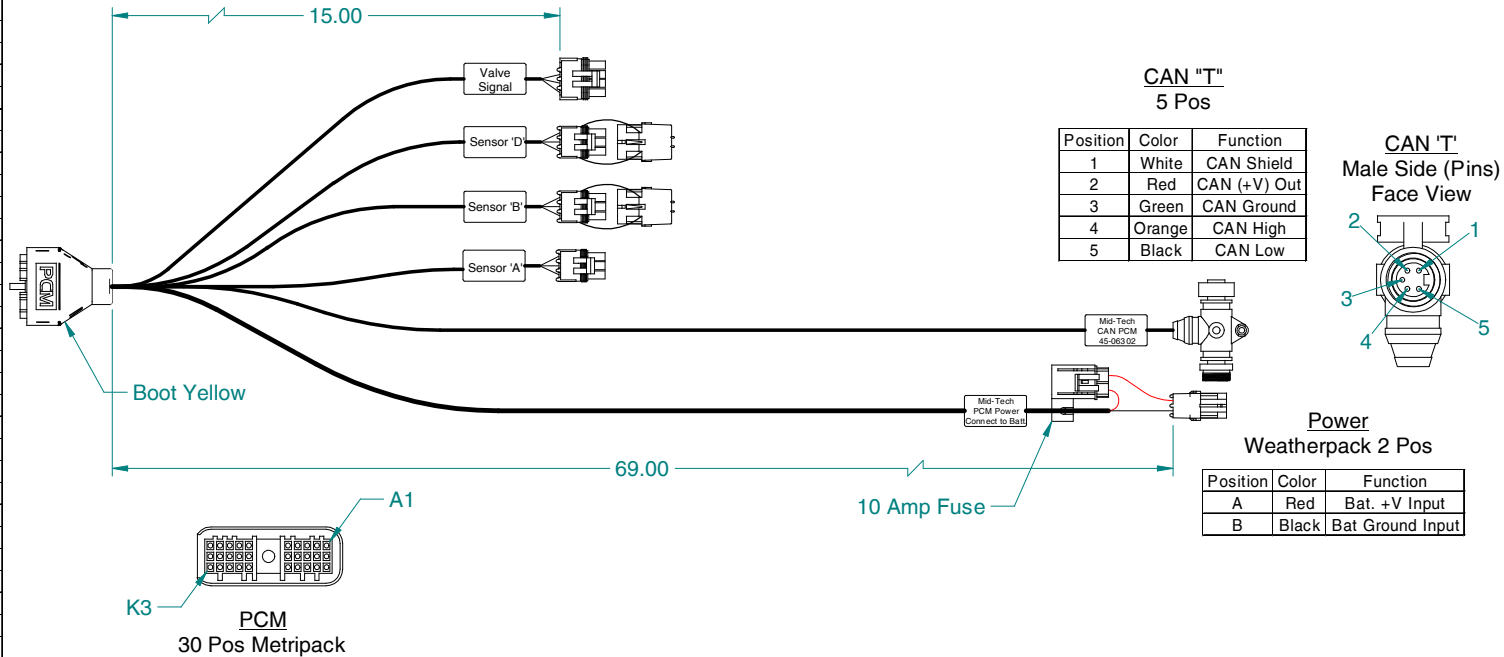
Position	Color	Function
A	Black	Ground
B	Red	(+V) (PTC2b)
C	White	Input

Sensor 'A' Weatherpack 3 Pos

Position	Color	Function
A	Black	Ground
B	Red	(+V) (PTC1)
C	White	Input

PCM 30 Pos Metripack

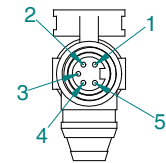
Pos	Color	Function
A1	Red	CAN (+V) Out
A2	Orange	CAN High
A3	Black	CAN Low
B1	Green	CAN Ground
B2	White	CAN Shield
B3	n/a	
C1	Black	Sensor 'A' Ground
C2	Black	Sensor 'B' Ground
C3	n/a	
D1	White	Sensor 'A' Input
D2	White	Sensor 'B' Input
D3	n/a	
E1	Red	Sensor 'A' +V (PTC1)
E2	Red	Sensor 'B' +V (PTC2b)
E3	Red	Sensor 'D' +V (PTC2a)
F1	White	Valve Open
F2	n/a	
F3	Black	Sensor 'D' Ground
G1	Green	Valve Close
G2	n/a	
G3	n/a	
H1	n/a	
H2	Black	Bat. Ground Input
H3	n/a	
J1	Red	Valve +V (Bat. SW)
J2	n/a	
J3	White	Sensor 'D' Input
K1	Red	Bat. (+V) Input
K2	n/a	
K3	n/a	



CAN 'T' 5 Pos

Position	Color	Function
1	White	CAN Shield
2	Red	CAN (+V) Out
3	Green	CAN Ground
4	Orange	CAN High
5	Black	CAN Low

CAN 'T' Male Side (Pins) Face View



Power Weatherpack 2 Pos

Position	Color	Function
A	Red	Bat. +V Input
B	Black	Bat Ground Input

Note: 1.0 All dimensions are displayed in "Inches" unless otherwise specified.

MATERIAL: N/A		Midwest Technologies Illinois	
FINISH: N/A		TITLE: Cable, PCM, Dual, w/RPM	
PROJECTION:	SCALE: UNITS: X METRIC: X	DRAWN BY: D. Martin	
UNLESS OTHERWISE SPECIFIED TOLERANCE:		CHECKED BY: Amy Neuberger	
0-1" +/- .1"	10-60" +/- .1"	APPROVED BY: Scott Leuber	
1-5" +/- .25"	60-120" +/- .2"	SHEET No: 1 of 1	
5-10" +/- .5"	120" +/- .3"	DWS No: C-45-06302	
REV. DATE	NO. No	Midwest Technologies IL, LLC. Claims proprietary right in the material disclosed herein. This document is not to be used in any way detrimental to the interest of Midwest Technologies IL, LLC.	

1

2

3

4