

A

B

C

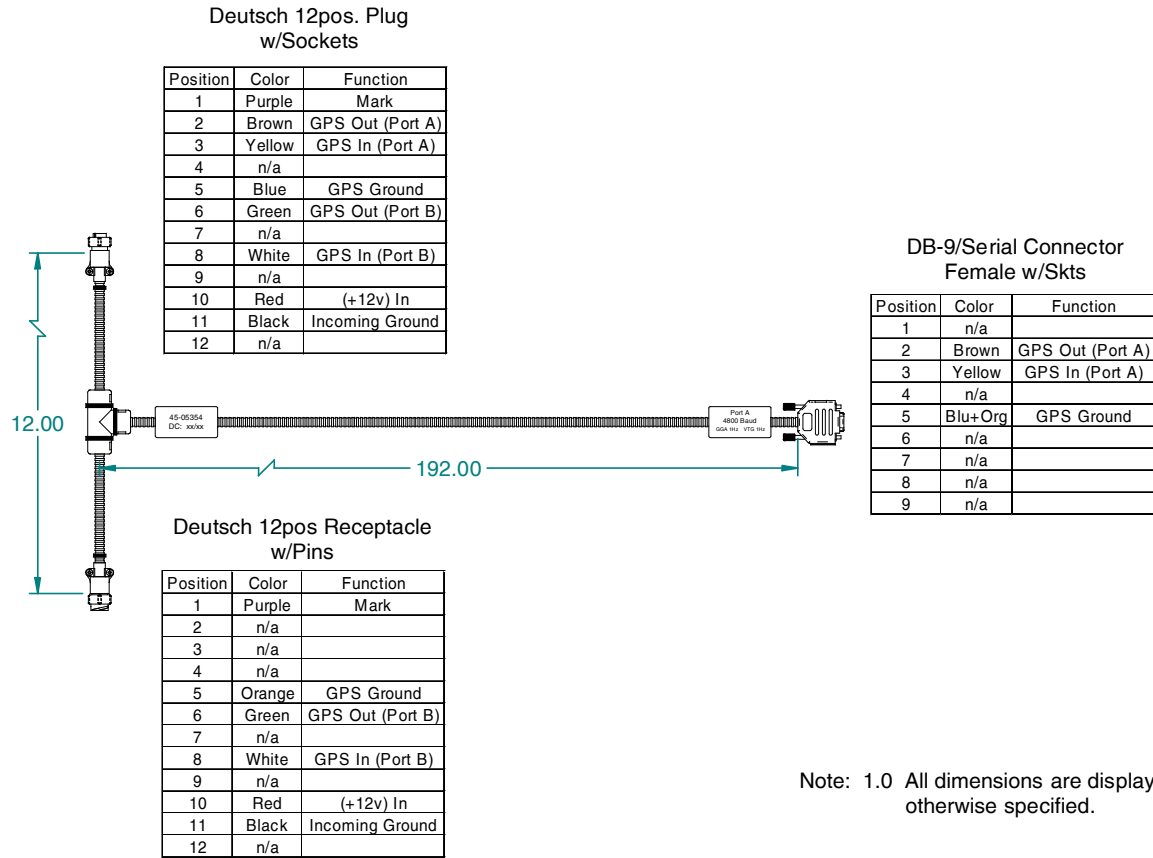
D

1

2

3

4



Note: 1.0 All dimensions are displayed in "Inches" unless otherwise specified.

MATERIAL: See Notes			TITLE: Cable, GPS Data, Dual Out w/Single DB9
FINISH: See Notes			DRAWN BY: <i>Rayon Reiser</i> CHECKED BY: <i>Ray Reiser</i> APPROVED BY: <i>Scott Leathler</i>
PROJECTION:		SCALE: UNITS: <u>X</u> INCH: 1:4 METRIC: <u> </u>	SHEET No: 1 of 1 DWS No: C-45-05354
UNLESS OTHERWISE SPECIFIED TOLERANCE:		0-1" +.015" - .000" 10-60" +.1" - .000" 3XX 1-5" +.025" - .000" 60-120" +.1" - .000" 2XX 5-10" +.05" - .000" 120" +.1" - .000" 1X	
REV. R0	DATE 4/30/03	NOC. No. 010213	Midwest Technologies IL, LLC. Claims proprietary right in the material disclosed herein. This document is not to be used in any way detrimental to the interest of Midwest Technologies IL, LLC.