

A

B

C

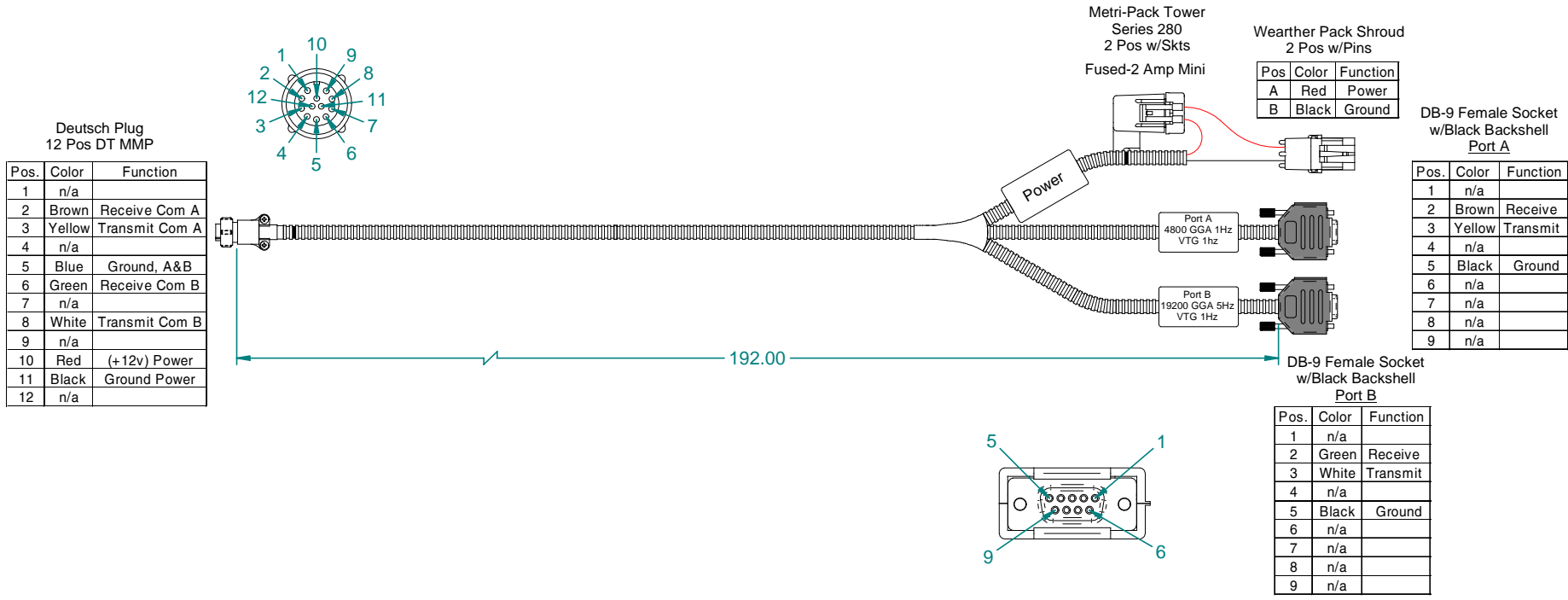
D

1

2

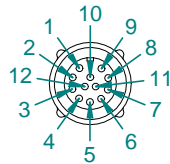
3

4



Deutsch Plug  
12 Pos DT MMP

Pos.	Color	Function
1	n/a	
2	Brown	Receive Com A
3	Yellow	Transmit Com A
4	n/a	
5	Blue	Ground, A&B
6	Green	Receive Com B
7	n/a	
8	White	Transmit Com B
9	n/a	
10	Red	(+12v) Power
11	Black	Ground Power
12	n/a	



Metri-Pack Tower Series 280  
2 Pos w/Skts

Fused-2 Amp Mini

Pos	Color	Function
A	Red	Power
B	Black	Ground

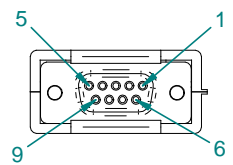
Weather Pack Shroud  
2 Pos w/Pins

DB-9 Female Socket  
w/Black Backshell  
Port A

Pos.	Color	Function
1	n/a	
2	Brown	Receive
3	Yellow	Transmit
4	n/a	
5	Black	Ground
6	n/a	
7	n/a	
8	n/a	
9	n/a	

DB-9 Female Socket  
w/Black Backshell  
Port B

Pos.	Color	Function
1	n/a	
2	Green	Receive
3	White	Transmit
4	n/a	
5	Black	Ground
6	n/a	
7	n/a	
8	n/a	
9	n/a	



Note: 1.0 All dimensions are displayed in "Inches"  
Unless otherwise specified.

MATERIAL:		n/a			
FINISH:		n/a			
PROJECTION:		SCALE: UNITS: X		TITLE: Cable, COM 1 & 2 with Power In	
UNLESS OTHERWISE SPECIFIED TOLERANCE:		METRIC: N/A		DRAWN BY: Bryan Reiter	
R1 6/20/03 10253		0-1" +/- .1"		CHECKED BY: Scott Leiber	
R0 4/16/03 010204		1-5" +/- .25"		APPROVED BY:	
REV. DATE DOC. No		10-60" +/- .1" .XX		SHEET No: 1 of 1	
		5-10" +/- .5" 120" +/- .3" .X		DWG No: C-45-05350	
Midwest Technologies IL, LLC. Claims proprietary right in the material disclosed hereon. This document is not to be used in any way detrimental to the interest of Midwest Technologies IL, LLC.					