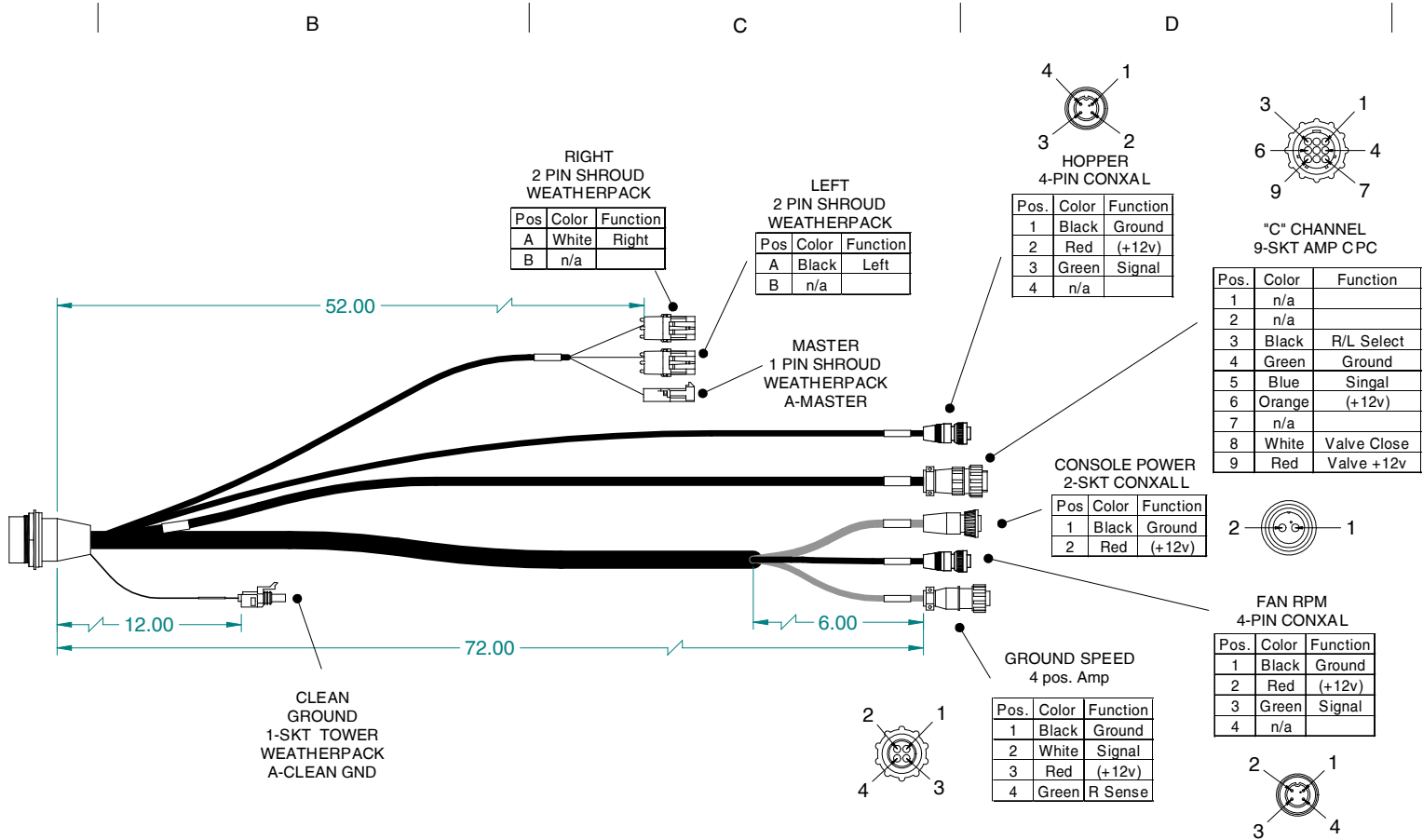


BULKHEAD CONNECTOR
23 PIN, PANEL MNT.

Pos.	Color	Function
A	Orange	"C" (+12v)
B	Green	"C" Ground
C	Blue	"C" Signal
D	Red	(+12v) Valve
E	Red	Master
F	White	Valve Close
G	n/a	
H	Black	Gnd Hopper
J	Black	R/L Select
K	Red	(+12v) Fan/RPM
L	Black	Gnd Fan/RPM
M	Green	Fan/Tach Sig.
N	Black	Gnd (Gnd Speed)
O	White	Sig. (Gnd Speed)
P	Red	(+12v) Gnd Speed
Q	Green	R Sence Gnd Speed
R	Red	(+12v) Hopper
S	Green	Signal Hopper
T	White	Right
U	Black	Left
V	Black	Clean Ground
W	Red	(+12v) Console
X	Black	Gnd Console



MATERIAL: See Notes		
FINISH: See Notes		
PROJECTION:		SCALE: UNITS: X INCH METRIC: 1:4
UNLESS OTHERWISE SPECIFIED TOLERANCE:		DRAWN BY: <i>Bryan Retzer</i>
R1 6/11/04 00272-1	0-1" +/- .1"	CHECKED BY: <i>Amy Retzer</i>
R0 8/12/00 00221-1	1-5" +/- .25"	APPROVED BY: <i>Marty Wagner</i>
REV. DATE NOC. No.	5-10" +/- .5"	SHEET No: DWG No:
		1 of 1 C-45-05182
Midwest Technologies IL, LLC. Claims proprietary right in the material disclosed herein. This document is not to be used in any way detrimental to the interest of Midwest Technologies IL, LLC.		