

A

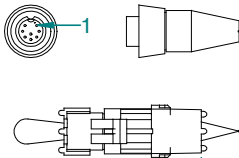
B

C

D

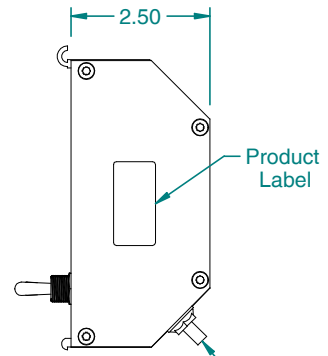
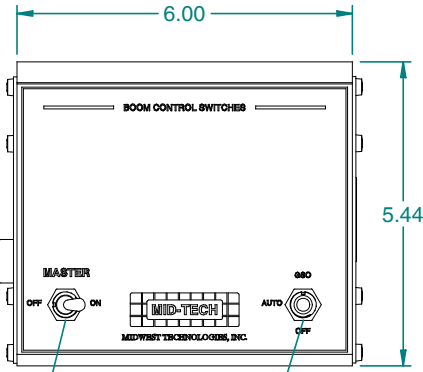
Boom Status
Conxall, 8 Pos.

| Position | Color | Function |
|----------|--------|---------------|
| 1 | Black | Ground |
| 2 | Red | (+12v) Fil Sw |
| 3 | Green | In Select |
| 4 | n/a | |
| 5 | Orange | Shift In |
| 6 | n/a | |
| 7 | Yellow | Clock |
| 8 | n/a | |



Remote Master
WeatherPack, 2 Pos.

| Pos. | Color | Function |
|------|-------|--------------|
| A | Red | Boom 1 Sense |
| B | Black | Master Sw. |



Master Switch 853-0003
Off/Auto GSO Switch 852-0007

Mounting Hardware 1/4x20x3/4

| | | | | | |
|---|--|-----------------|--|---|--|
| MATERIAL: | | N/A | | | |
| FINISH: | | N/A | | TITLE: SWITCHBOX, SINGLE BOOM WITH OFF/AUTO/GSO | |
| PROJECTION: | | SCALE: UNITS: X | | DRAWN BY: <i>Rayon Nelson</i> | |
| UNLESS OTHERWISE SPECIFIED TOLERANCE: | | 1:2 | | CHECKED BY: <i>Scott Kauder</i> | |
| REV. DATE | | NO. No | | SHEET No: 1 of 1 DWG No: C-405-0075 | |
| <p>Midwest Technologies IL, LLC. Claims proprietary right in the material disclosed herein. This document is not to be used in any way detrimental to the interest of Midwest Technologies IL, LLC.</p> | | | | | |