

A

B

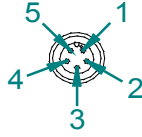
C

D

1

Flow Control
Corxall 5 Pos.
w/skts Male

Pos.	Color	Function
1	Black	Open
2	Red	(+12v) Fil SW
3	Green	Ground
4	White	Close
5	Brown	Tach Sig.



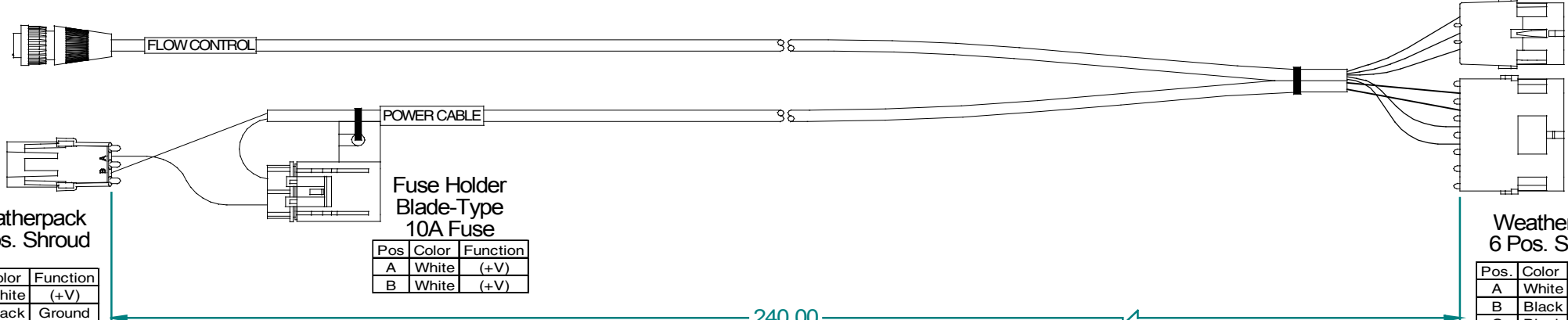
Weatherpack
3 Pos. Shroud

Pos	Color	Function
A	Green	Ground
B	Red	(+12v) Fil SW
C	Brown	Tach Sig.

2

Weatherpack
2 Pos. Shroud

Pos	Color	Function
A	White	(+V)
B	Black	Ground



Fuse Holder
Blade-Type
10A Fuse

Pos	Color	Function
A	White	(+V)
B	White	(+V)

Weatherpack
6 Pos. Shroud

Pos.	Color	Function
A	White	(+V)
B	Black	Ground
C	Black	Open
D	White	Close
E	n/a	
F	n/a	

240.00

3

4

Note: 1.0 All dimensions are displayed in "Inches"
Unless otherwise specified.

MATERIAL:		N/A			
FINISH:		N/A			
PROJECTION:		SCALE: UNITS: INCH: X METRIC: 1:2		TITLE: Cable, Flow Control TASC	
UNLESS OTHERWISE SPECIFIED TOLERANCE:		0-1" +/- .1" 10-60" +/- 1" XX		DRAWN BY: Bryan Reiser	
		1-5" +/- .25" 60-120" +/- 2" XXX		CHECKED BY: Amy Newborn	
		5-10" +/- .5" 120" +/- 3" <		APPROVED BY: Marty Weger	
REV.	DATE	NOC. No		SHEET No:	1 of 1
				DWG No:	C-404-0061

Midwest Technologies IL, LLC. Claims proprietary right in the material disclosed hereon. This document is not to be used in any way detrimental to the interest of Midwest Technologies IL, LLC.