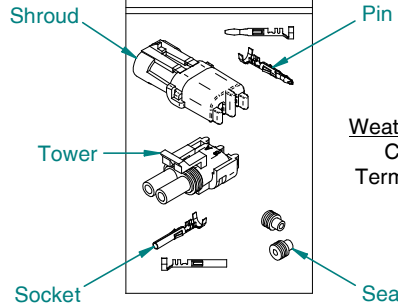


A

B

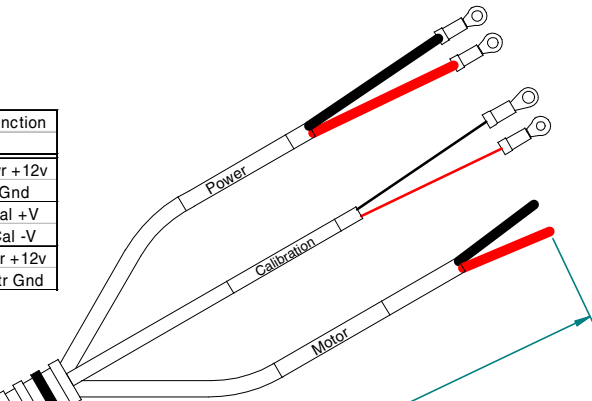
C

D



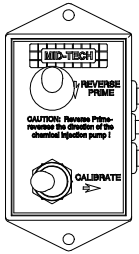
Weatherpack Cable Termination Kit

Cable	Color	Terminal Size	Function
Power	Red	#8	Pwr +12v
	Black	#8	Gnd
Calibration	Red	#6	Cal +V
	Black	#10	Cal -V
Motor	Red	n/a	Mtr +12v
	Black	n/a	Mtr Gnd



99.00

Control Box
Dual Switch
Reverse
Prime &
Calibrate



Notes:

1.0 All Dimensions Displayed in "Inches" Unless Otherwise Specified.

MATERIAL:		N/A			
FINISH:		N/A			
PROJECTION:		SCALE:	UNITS:	TITLE:	
		1:2	X	Remote Switch, TASC/ISC Calibration Reverse Prime	
UNLESS OTHERWISE SPECIFIED TOLERANCE:				DRAWN BY: <i>L.D. Martin</i>	
0-1" +/- .1" 1-5" +/- .25" 5-10" +/- .5"		10-60" +/- 1" 60-120" +/- 2" 120" +/- 3"		CHECKED BY: <i>Steve Leubner</i>	
R0	7/29/03	98154-2		APPROVED BY: <i>Steve Leubner</i>	
R0	8/24/93			SHEET No: <i>1 of 1</i> DWS No: <i>C-404-0034</i>	
REV.	DATE	NOC No			

Midwest Technologies IL, LLC. Claims proprietary right in the material disclosed herein. This document is not to be used in any way detrimental to the interest of Midwest Technologies IL, LLC.