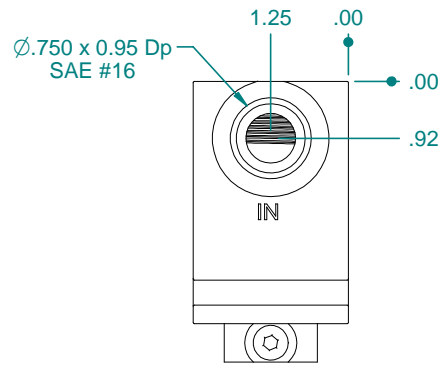
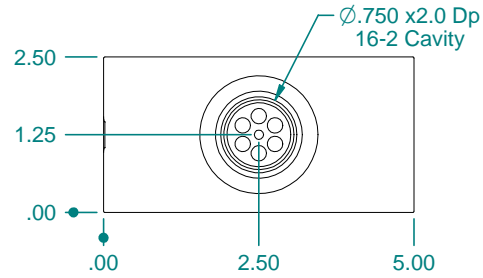


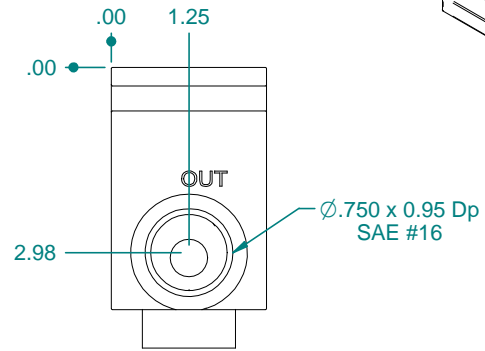
A



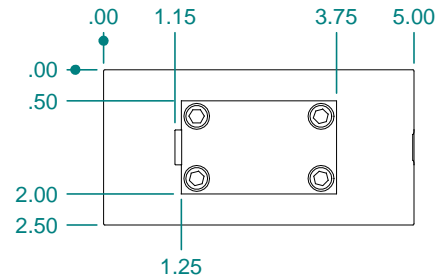
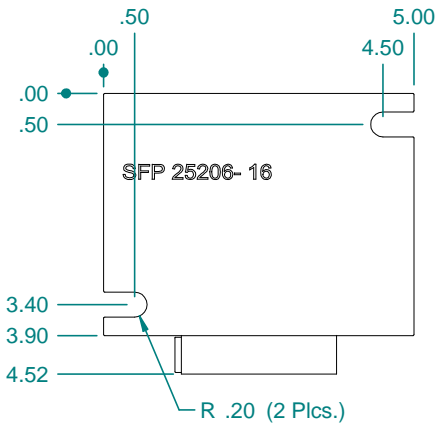
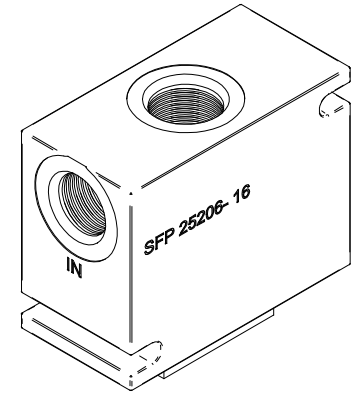
B




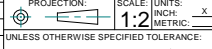
C



D



- Note: 1.0 Material: 6061
- 2.0 Machine Finish: 125 max. surface roughness
- 3.0 Protective Finish: None
- 4.0 Machined edges and coners: .002/.030 Radius or 45° Cham.

MATERIAL:		See Notes					
FINISH:		See Notes		TITLE: Manifold, 2 Port, w/Press Compensating, #16 SAE			
PROJECTION:		SCALE: UNITS: X 1:2 METRIC: X		DRAWN BY: Bryan Reiser			
UNLESS OTHERWISE SPECIFIED TOLERANCE:				CHECKED BY: Amy Debusch			
REV. DATE		0-1" +/- .1" 10-60" +/- .1" .XX .002 1-5" +/- .25" 60-120" +/- .2" .XX .004 5-10" +/- .5" 120" +/- .3" .XX .004		APPROVED BY: Amy Debusch		SHEET No: DWG No:	
R0 2/25/04		NOC. No		1 of 1 C-35-03010			
Midwest Technologies IL, LLC. Claims proprietary right in the material disclosed herein. This document is not to be used in any way detrimental to the interest of Midwest Technologies IL, LLC.							