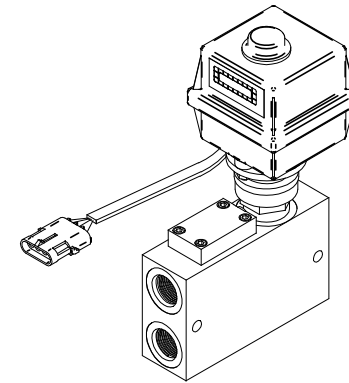
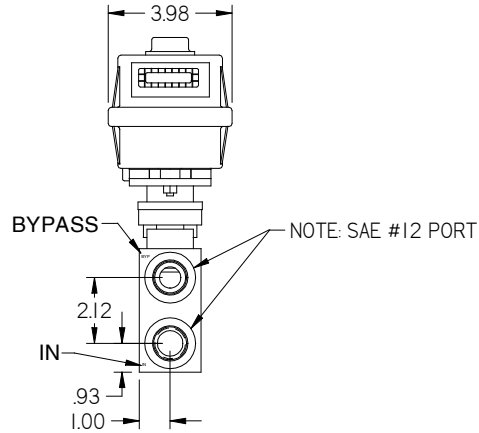
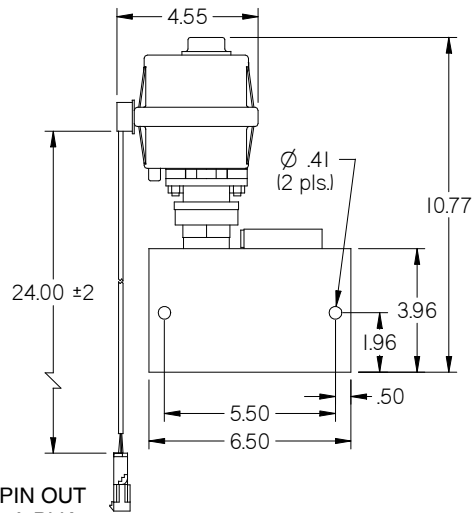
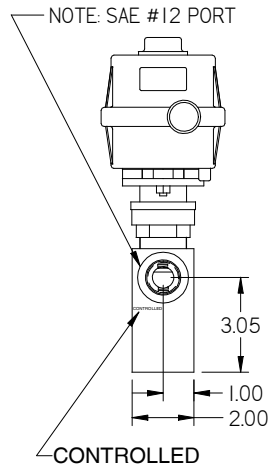
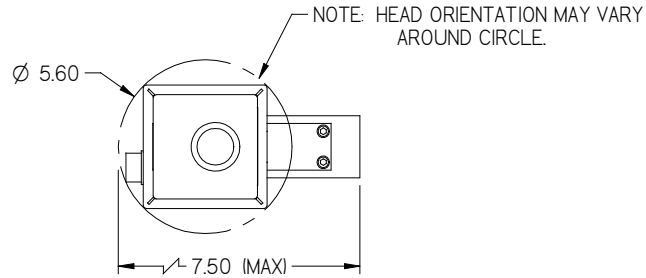


A

B

C

D



PIN OUT
 A-BLK
 B-GRN
 C-WHT
 D-RED

		MATERIAL: HEAD-POLYPROPYLENE BODY-ALUMINUM	
		FINISH: HEAD-TEXTURED BODY-SMOOTH	TITLE: VALVE, W/MAINFOLD EXR-II 3 SEC. 15 G.P.M.
		PROJECTION: 	SCALE: 1:4
		UNLESS OTHERWISE SPECIFIED TOLERANCES: XX	DRAWN BY: Bryan Reiser CHECKED BY: Amy Newburn
		INCH: XX METRIC: XX	APPROVED BY: Duane Stewart
RO	9/9/99	99251-1	SHEET No: 1 of 1 DWG No: C-35-02027
REV.	DATE	DESC. No	
MIDWEST TECHNOLOGIES INC. CLAIMS PROPRIETARY RIGHTS IN THE MATERIAL DISCLOSED HEREON. THIS DOCUMENT IS NOT TO BE USED IN ANY WAY DETRIMENTAL TO THE INTEREST OF MIDWEST TECHNOLOGIES INC.			