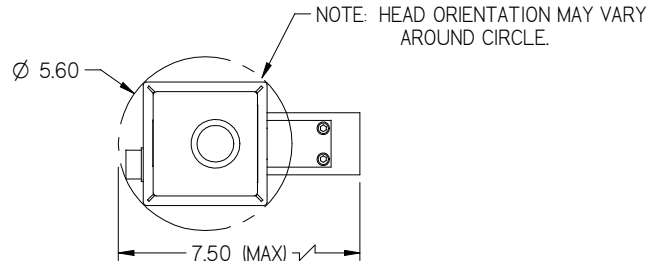


A

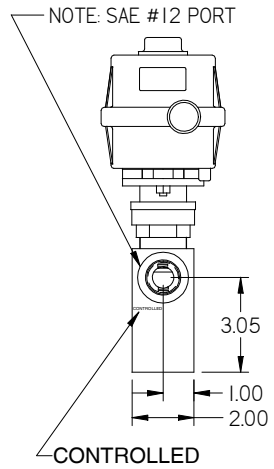
B

C

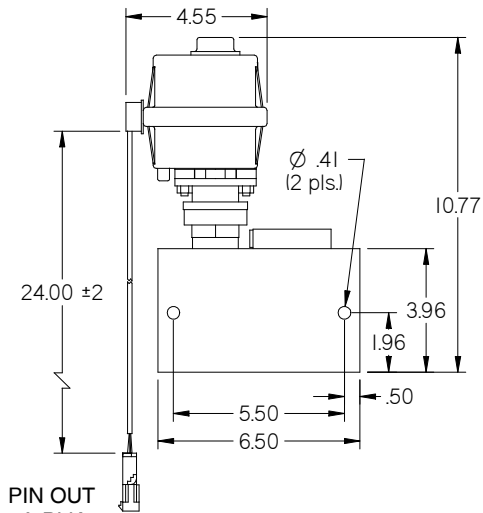
D



2

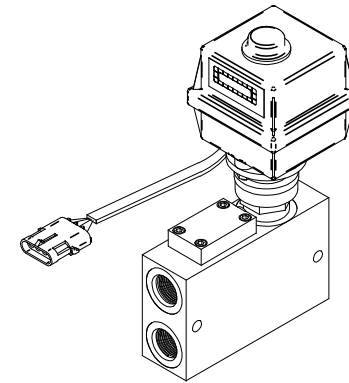
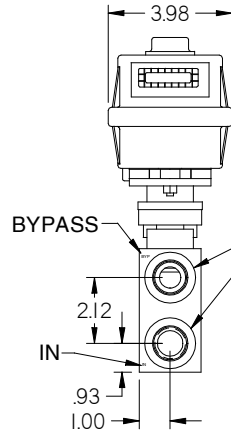


3



BYPASS

NOTE: SAE #12 PORT



4

			MATERIAL: HEAD-POLYPROPYLENE BODY-ALUMINUM	
			FINISH: HEAD-TEXTURED BODY-SMOOTH	TITLE: VALVE, W/MAINFOLD EXR-II 3 SEC. 20 G.P.M.
			PROJECTION:  UNLESS OTHERWISE SPECIFIED TOLERANCE:	DRAWN BY: <i>Bryan Reiser</i> CHECKED BY: <i>Amy Newburn</i> APPROVED BY: <i>Diana Stewart</i>
			SCALE: UNITS: X 1:4 INCH METRIC: X	SHEET No: <b>1 of 1</b> DWG No: <b>C-35-02026</b>
RO	9/9/99	99251-1	0-.1" ± .01" 10-60" ± .1" 3XX .1-.5" ± .005" 60-120" ± .01" 2XX .5-10" ± .01" 120" ± .03" 1XX	Midwest Technologies IL, LLC. Claims proprietary right in the material disclosed herein. This document is not to be used in any way detrimental to the interest of Midwest Technologies IL, LLC.