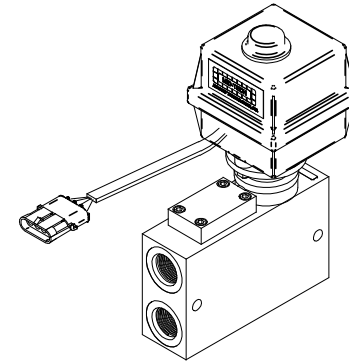
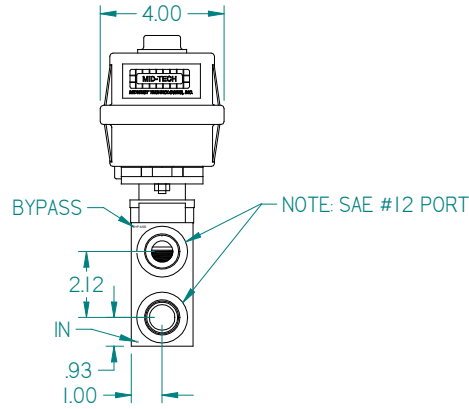
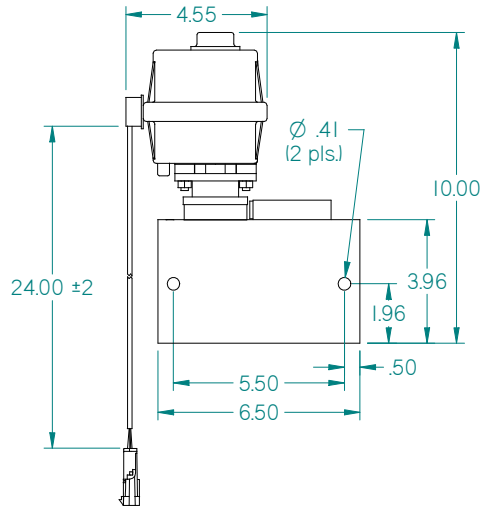
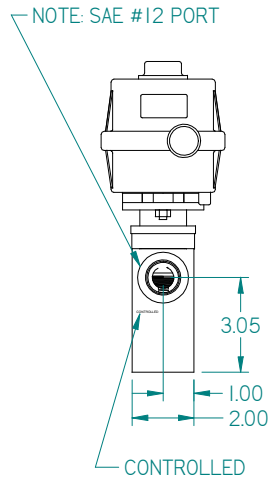
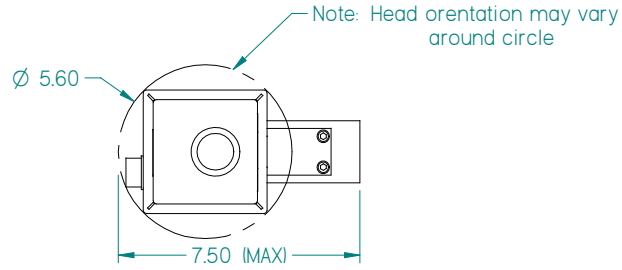


A

B

C

D



Weatherpack  
4 Pos. Shroud

Pin Out -- Open -- Closed  
 A-BLK -- +12v -- +12v  
 B-GRN -- +12v -- Gnd  
 C-WHT -- Gnd -- +12v  
 D-RED -- Full Open -- Full Open

			MATERIAL: HEAD-POLYPROPYLENE BODY-ALUMINUM	
			FINISH: HEAD-TEXTURED BODY-SMOOTH	
			TITLE: VALVE, W/MAINFOLD EXR-II 3 SEC. 30 G.P.M.	
			PROJECTION:  SCALE: UNITS: X INCH: METRIC: 1:4	DRAWN BY: <i>Rayan Reiser</i>
			UNLESS OTHERWISE SPECIFIED TOLERANCE:	CHECKED BY: <i>Alan Robinson</i>
R2	2/19/01	00238-1	0-1" +.1	APPROVED BY: <i>Dwaine Stewart</i>
R1	7/21/00	00115-3	10-60" +.1	
R0	9/9/99	99251-1	1-15" +.25	
REV.	DATE	DOC. No	5-10" +.5	SHEET No: <b>1 of 1</b> DWG No: <b>C-35-02024</b>
<p>Midwest Technologies IL, LLC. Claims proprietary right in the material disclosed herein. This document is not to be used in any way detrimental to the interest of Midwest Technologies IL, LLC.</p>				