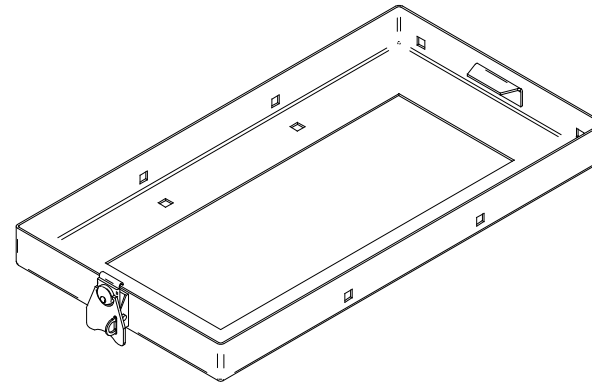
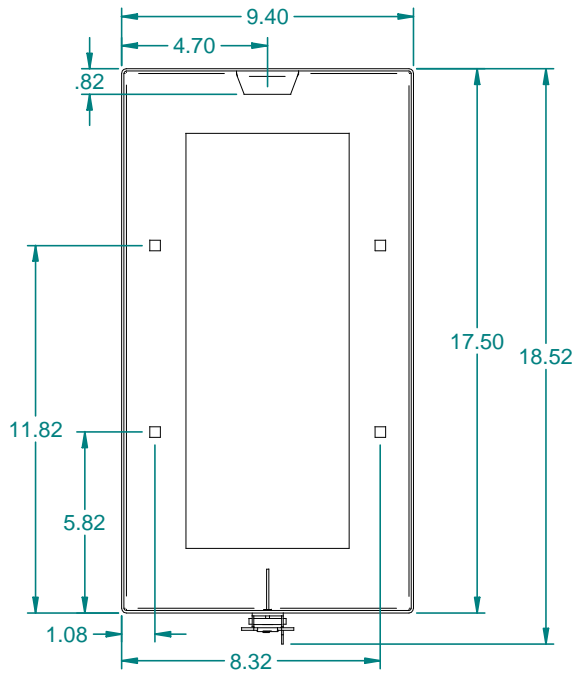


A

B

C

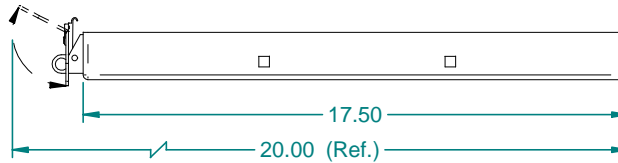
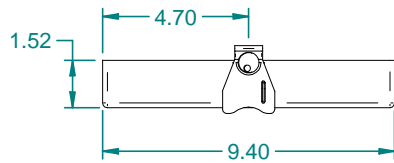
D



1

2

3



4

MATERIAL: N/A		FINISH: N/A		TITLE: Mounting Base, Single, SST, 7.5gal Tank	
PROJECTION:		SCALE: UNITS: X INCH METRIC: 1:4		DRAWN BY: Bryan Reber	
UNLESS OTHERWISE SPECIFIED TOLERANCE:		APPROVED BY: Ryan Saterline		SHEET No: 1 of 1	
REV. DATE NOC. No.		0-1" +/- .1" 10-60" +/- .1" 3XX		DWG No: C-160-0005	
		1-5" +/- .25" 60-120" +/- .2" 3XX			
		5-10" +/- .5" 120" +/- .3" 3XX			
Midwest Technologies IL, LLC. Claims proprietary right in the material disclosed hereon. This document is not to be used in any way detrimental to the interest of Midwest Technologies IL, LLC.					