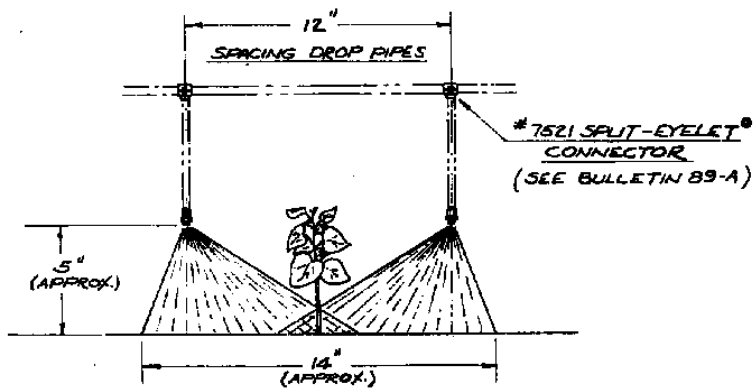


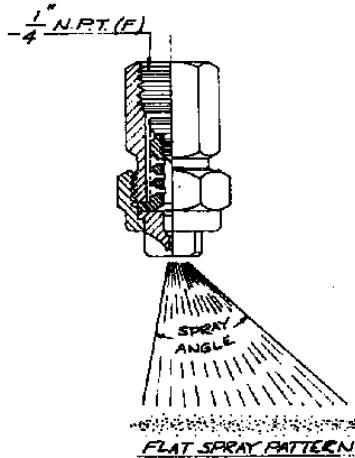
NOZZLE NO.	LIQUID PRESSURE IN P.S.I.	I-NOZZLE CAPACITY IN G.P.M.	GALLONS PER GROSS ACRE					
			3 M.P.H.	3 1/2 M.P.H.	4 M.P.H.	4 1/2 M.P.H.	5 M.P.H.	6 M.P.H.
1/4T 0C02 1/4TTC02	25	.16	16	14	12	10.5	9.5	7.9
	30	.17	17	15	13	11	10	8.4
	35	.19	19	16	14	12	11	9.4
	40	.20	20	17	15	13	12	9.9
	50	.22	22	19	16	15	13	11
1/4T 0C03 1/4TTC03	25	.24	24	20	18	16	14	12
	30	.26	26	22	19	17	15	13
	35	.28	28	24	21	19	17	14
	40	.30	30	26	22	20	18	15
	50	.34	34	29	25	22	20	17
1/4T 0C04 1/4TTC04	25	.32	32	27	24	21	19	16
	30	.35	35	30	26	23	21	17
	35	.37	37	31	27	24	22	18
	40	.40	40	34	30	26	24	20
	50	.45	45	38	33	30	27	22
1/4T 0C06 1/4TTC06	25	.47	46	40	35	31	28	23
	30	.52	51	44	39	34	31	26
	35	.56	55	48	42	37	33	28
	40	.60	59	51	45	40	36	30
	50	.67	66	57	50	44	40	33
60	.73	72	62	54	48	43	36	

ABOVE TABULATION IS BASED ON WATER AT TEMPERATURE OF 70°F.

P.S.I. = POUNDS PER SQUARE INCH
G.P.M. = GALLONS PER MINUTE
M.P.H. = RIG SPEED IN MILES PER HOUR

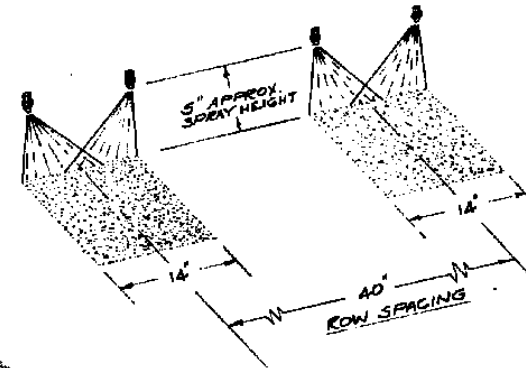


TYPE 1/4T---- SHOWN BELOW.
TYPE 1/4TT---- IS THE SAME EXCEPT IT HAS A MALE CONN.

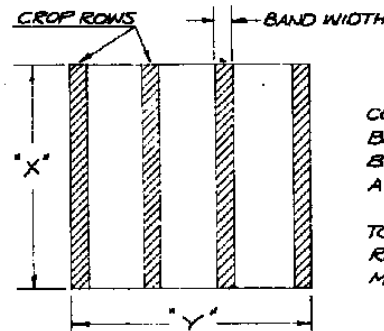


THE OFF-CENTER SPRAY TIPS PERMIT SPRAYING TO ONE SIDE ONLY - WITH UNIFORM SPRAY DISTRIBUTION THROUGHOUT THE PATTERN.

FOR DETAILS ON 1/4T0C AND 1/4TTC TEEJET NOZZLES SEE DATA SHEET 4788.



PAT. NO. 2,619,388
OTHER PATENTS PENDING



COVERAGES LISTED IN TABULATION ARE BASED ON GROSS ACRES AS CONTAINED BY DISTANCES "X" AND "Y" ON SKETCH AT LEFT.

TO OBTAIN THE EQUIVALENT BROADCAST RATE ON THE BANDS THEMSELVES - MULTIPLY BY THE FACTOR OF 2.9.

TABULATION BASED ON 2 NOZZLES PER EACH 40" ROW SPACING.

DESCRIPTION:
GALLONS PER ACRE FOR COTTON WEED AND GRASS CONTROL USING TEEJET NOZZLES WITH OFF-CENTER TIPS



Spraying Systems Co.

Spray Nozzles and Accessories
P.O. Box 7900 - Wheaton, Ill. 60189-7900

Rev. No.

Data Sheet No.

8715

Ref.

SHEET OF