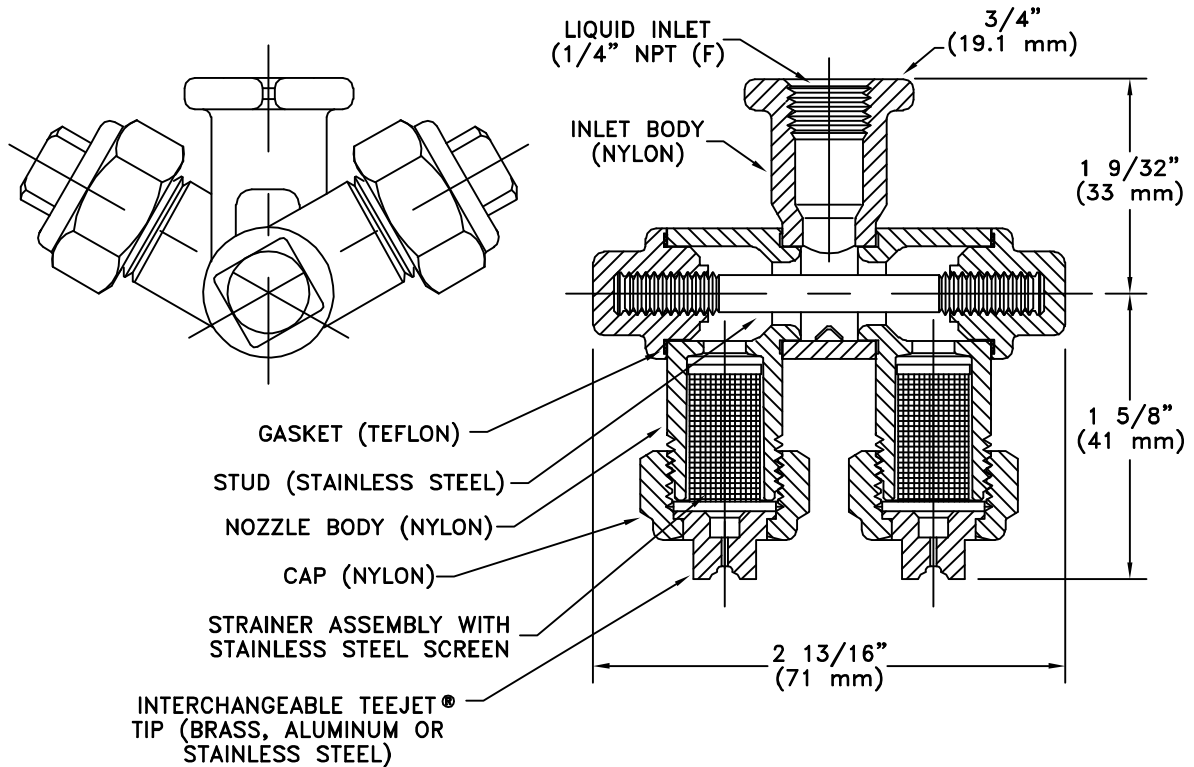


THIS NOZZLE IS DESIGNED FOR USE ON THE END OF DROP PIPES FOR ROW CROP SPRAYING. EACH NOZZLE CAN BE SET INDEPENDENTLY IN AN ARC OF 280 DEGREES. A SLIGHT TURN OF EITHER CAP NUT WILL HOLD THESE POSITION DESPITE ANY VIBRATION OF THE RIG.



FOR USE WITH STANDARD FLAT SPRAY TEEJET TIPS AND STANDARD CONE SPRAY TIPS. FOR SPRAY ANGLES AND CAPACITIES SEE AG. CATALOG AND DRAWINGS 2851 AND 4411.

DESCRIPTION:

**NO. 8600-2-1/4 T
NYLON DOUBLE SWIVEL
TEEJET NOZZLE**



Spraying Systems Co.®

**Spray Nozzles and Accessories
P.O. Box 7900 - Wheaton, IL 60189-7900**

Rev. No.

Data Sheet No.

8600-2

Ref.

SHEET OF