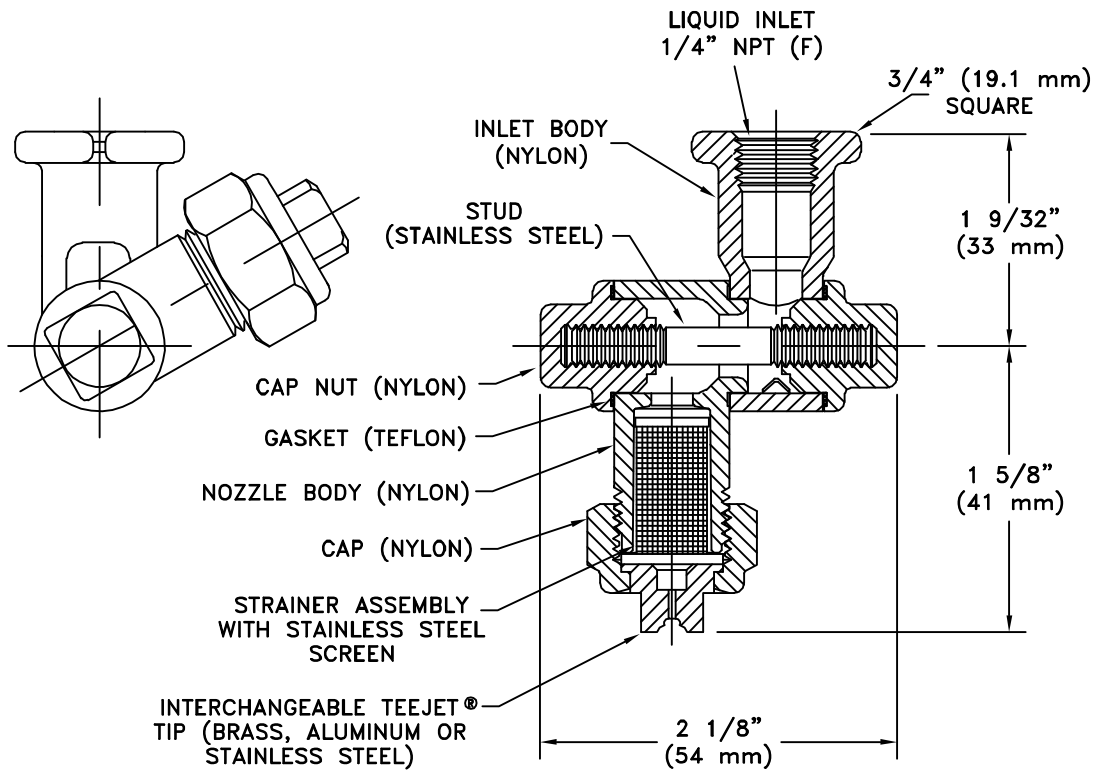


THIS SPRAY NOZZLE CAN BE USED ON EITHER THE END DROP PIPE OF A SPRAY BOOM OR ON A HAND SPRAYER. THE NOZZLE CAN BE SET IN ANY POSITION ON A 280° ARC. A SLIGHT TURN OF EITHER CAP NUT HOLDS THE NOZZLE POSITION AS SET NO MATTER HOW MUCH JARRING OR VIBRATION THERE MAY BE.



FOR USE WITH STANDARD FLAT SPRAY TEEJET® TIPS AND STANDARD CONE SPRAY TIPS. FOR SPRAY ANGLES AND CAPACITIES SEE AG. CATALOG AND DRAWINGS 2851 AND 4411.

**DESCRIPTION:**

**NO. 8600 - 1/4 T-  
NYLON SINGLE SWIVEL  
TEEJET NOZZLE**



**Spraying Systems Co.®**

**Spray Nozzles and Accessories  
P.O. Box 7900 - Wheaton, IL 60189-7900**

Rev. No.

Data Sheet No.

**8600-1**

Ref.

SHEET OF