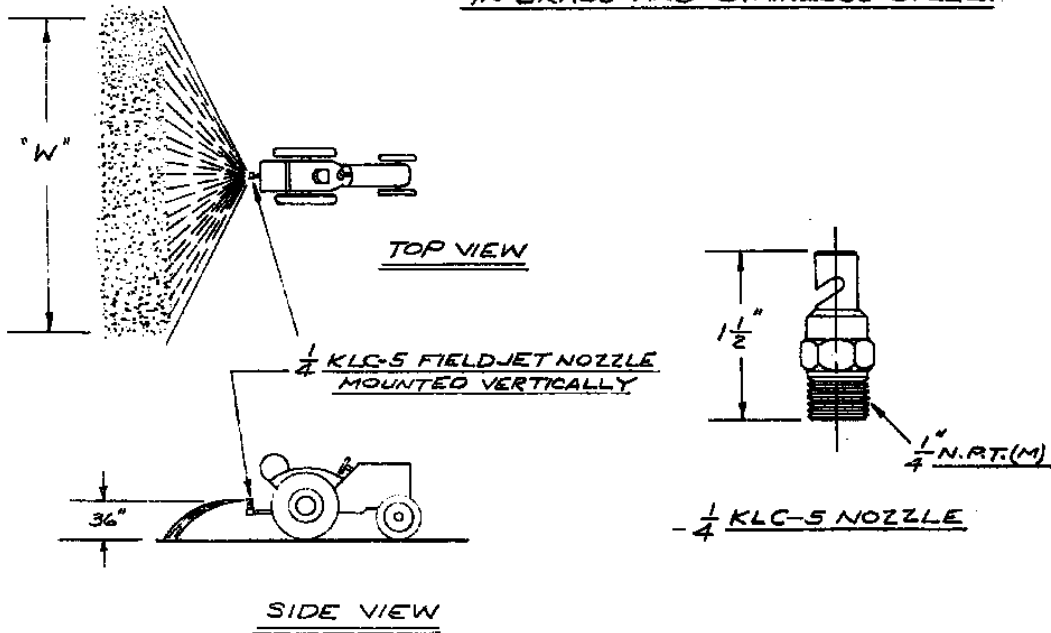


THE $\frac{1}{4}$ KLC-5 NOZZLE IS AVAILABLE
IN BRASS AND STAINLESS STEEL.



TABULATION IS BASED ON SPRAYING WATER AT TEMPERATURE OF 70°F
COVERAGES ARE BASED ON RIG BEING IN MOTION AT SPEEDS LISTED.

NOZZLE NO.	ORIFICE DIA.	LIQUID PRESSURE IN P.S.I.	CAPACITY IN G.P.M.	"W" IN FEET	GALLONS PER ACRE					
					2 M.P.H.	3 M.P.H.	4 M.P.H.	5 M.P.H.	7.5 M.P.H.	10 M.P.H.
$\frac{1}{4}$ KLC-5	.076"	10	.50	14	8.8	5.9	4.4	3.5	2.4	1.8
		20	.71	17	10.4	6.9	5.2	4.1	2.8	2.1
		30	.87	18	12.0	8.0	6.0	4.8	3.2	2.4
		40	1.00	21	11.8	7.9	5.9	4.7	3.1	2.3

W — MAXIMUM EFFECTIVE COVERAGE
P.S.I. — LIQUID PRESSURE IN LBS. PER SQ. INCH
G.P.M. — CAPACITY IN GALLONS PER MINUTE
M.P.H. — SPEED OF RIG IN MILES PER HOUR

FOR OTHER TYPES OF KLC-FIELDJET NOZZLES SEE DATA SHEET 6797.

THE $\frac{1}{4}$ KLC-5 NOZZLE CAN ALSO BE USED FOR HAND SPRAYING
APPLICATIONS WITH S.S. CO. GUNJETS. WRITE FOR DRAWINGS.

DESCRIPTION:
1/4KLC-5 FIELDJET NOZZLE



Spraying Systems Co.®

Spray Nozzles and Accessories
P.O. Box 7900 - Wheaton, Il. 60189-7900

Rev. No.

Data Sheet No.

8563

Ref.

SHEET OF