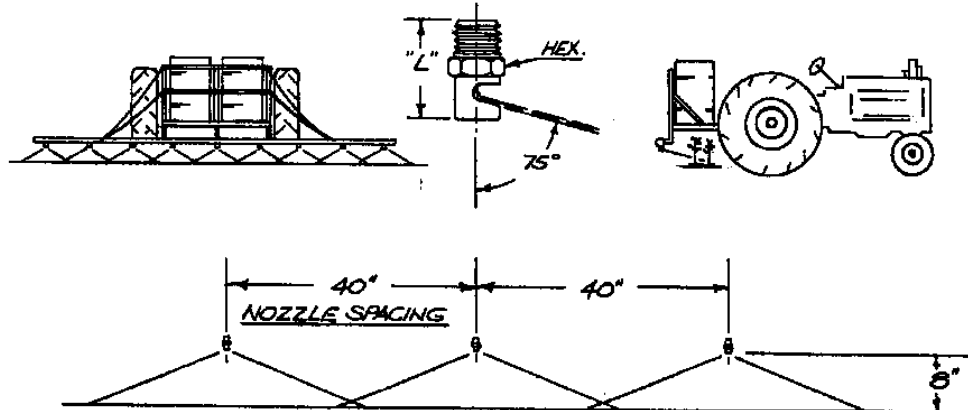


NOZZLES POSITIONED VERTICALLY AS SHOWN — SPRAYING TOWARDS TRACTOR



TABULATION BELOW SHOWS CAPACITIES IN GALLONS PER ACRE AT VARIOUS RIG SPEEDS AND PRESSURES. CAPACITIES ARE BASED ON WATER AT TEMPERATURE OF 70° F.

NOZZLE NO.	DIMENSIONS			LIQUID PRESSURE IN P.S.I.	GALLONS PER ACRE					
	ORIFICE DIA.	HEX.	"L"		2 M.P.H.	3 M.P.H.	4 M.P.H.	5 M.P.H.	7.5 M.P.H.	10 M.P.H.
1/8 K .75	.028"	7/16"	15/16"	10						
				20	8.3	5.5	4.1	3.3	2.2	1.7
				30	9.8	6.5	4.9	3.9	2.6	2.0
				40	11.2	7.5	5.6	4.5	3.0	2.3
1/8 K 1	.033"	7/16"	15/16"	10						
				20	10.5	7.1	5.3	4.3	2.8	2.1
				30	12.9	8.6	6.4	5.1	3.4	2.6
				40	14.9	10.0	7.4	6.0	4.0	3.0
1/8 K 1.5	.041"	7/16"	15/16"	10						
				20	15.7	10.5	7.8	6.3	4.3	3.2
				30	19.2	12.9	9.7	7.7	5.2	3.9
				40	22	14.9	11.1	8.9	6.0	4.5
1/8 K 2	.046"	7/16"	1"	10						
				20	21	14.0	10.5	8.4	5.6	4.2
				30	26	17.2	12.9	10.3	6.9	5.2
				40	30	19.8	14.8	11.8	7.9	5.9
1/8 K 3	.057"	7/16"	1"	10						
				20	32	21	15.7	12.6	8.4	6.3
				30	38	26	19.3	15.4	10.3	7.7
				40	45	30	22	17.8	11.8	8.9
1/8 K 5	.073"	7/16"	1"	10						
				20	53	36	27	21	14.2	10.7
				30	65	44	33	26	17.4	13.1
				40	75	50	38	30	20	15.1
1/8 K 10	.104"	7/16"	1"	10						
				20	105	70	53	42	28	21
				30	128	85	64	51	34	26
				40	150	100	75	60	40	30

DESCRIPTION:
 GALLONS PER ACRE
 1/8K- FLOODJET NOZZLES
 SPRAYING UNDER FOLIAGE



Spraying Systems Co.®
 Spray Nozzles and Accessories
 P.O. Box 7900 - Wheaton, Il. 60189-7900

Rev. No.

Data Sheet No.

8449

Ref.

SHEET OF