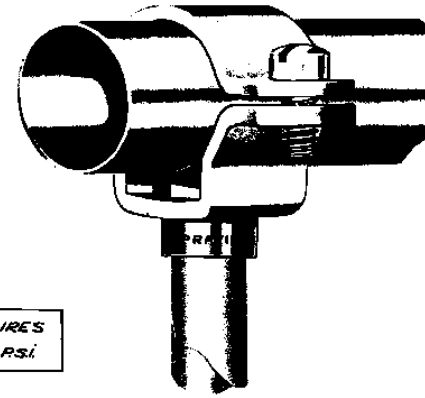
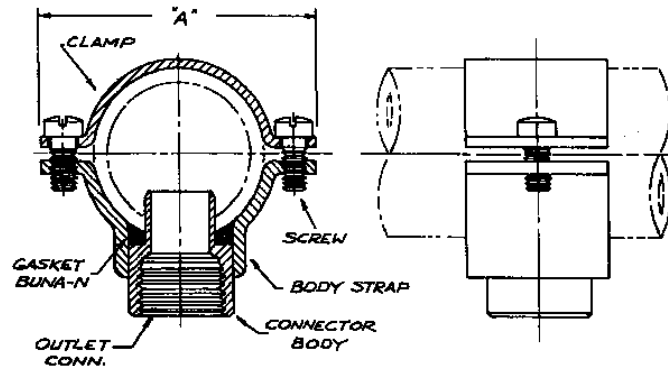


CONNECTOR IS INSTALLED BY DRILLING  $\frac{1}{16}$ " DIA. HOLE IN PIPE.

| SPLIT-EYELET<br>CONNECTOR NO.            | OUTLET<br>CONN.<br>N.P.T. | CONSTRUCTION MATERIALS  |                    | TO CLAMP ON                   | 'A'              |
|--|---------------------------|-------------------------|--------------------|-------------------------------|------------------|
|  |                           | CLAMP AND<br>BODY STRAP | CONNECTOR<br>BODY  |                               |                  |
| B370A- $\frac{1}{4}$ " x $\frac{1}{4}$ " | $\frac{1}{4}$ "           | ZINC<br>PLATED<br>STEEL | BRASS              | $\frac{1}{4}$ " PIPE          | $2\frac{3}{4}$ " |
| B370A- $\frac{1}{4}$ " x $\frac{3}{8}$ " | $\frac{3}{8}$ "           |                         |                    |                               |                  |
| B370A- $\frac{1}{4}$ " x $\frac{1}{2}$ " | $\frac{1}{2}$ "           |                         |                    |                               |                  |
| B370B- $\frac{1}{4}$ " x $\frac{1}{4}$ " | $\frac{1}{4}$ "           | STAINLESS<br>STEEL      | STAINLESS<br>STEEL | 1 $\frac{1}{2}$ " O.D. TUBING |                  |
| B370B- $\frac{1}{4}$ " x $\frac{3}{8}$ " | $\frac{3}{8}$ "           |                         |                    | 1 $\frac{1}{2}$ " O.D. TUBING |                  |
| B370B- $\frac{1}{4}$ " x $\frac{1}{2}$ " | $\frac{1}{2}$ "           |                         |                    | 1 $\frac{1}{2}$ " O.D. TUBING |                  |
| B370C- $\frac{1}{4}$ " x $\frac{1}{4}$ " | $\frac{1}{4}$ "           | ZINC<br>PLATED<br>STEEL | STAINLESS<br>STEEL | 1 $\frac{1}{2}$ " O.D. TUBING |                  |
| B370C- $\frac{1}{4}$ " x $\frac{3}{8}$ " | $\frac{3}{8}$ "           |                         |                    |                               |                  |
| B370C- $\frac{1}{4}$ " x $\frac{1}{2}$ " | $\frac{1}{2}$ "           |                         |                    |                               |                  |
| B370A- $\frac{1}{2}$ " x $\frac{1}{4}$ " | $\frac{1}{4}$ "           | ZINC<br>PLATED<br>STEEL | BRASS              | $\frac{1}{2}$ " PIPE          | $3\frac{1}{2}$ " |
| B370A- $\frac{1}{2}$ " x $\frac{3}{8}$ " | $\frac{3}{8}$ "           |                         |                    |                               |                  |
| B370A- $\frac{1}{2}$ " x $\frac{1}{2}$ " | $\frac{1}{2}$ "           |                         |                    |                               |                  |
| B370B- $\frac{1}{2}$ " x $\frac{1}{4}$ " | $\frac{1}{4}$ "           | STAINLESS<br>STEEL      | STAINLESS<br>STEEL | 1 $\frac{3}{4}$ " O.D. TUBING |                  |
| B370B- $\frac{1}{2}$ " x $\frac{3}{8}$ " | $\frac{3}{8}$ "           |                         |                    | 2" O.D. TUBING                |                  |
| B370B- $\frac{1}{2}$ " x $\frac{1}{2}$ " | $\frac{1}{2}$ "           |                         |                    | 2" O.D. TUBING                |                  |
| B370C- $\frac{1}{2}$ " x $\frac{1}{4}$ " | $\frac{1}{4}$ "           | ZINC<br>PLATED<br>STEEL | STAINLESS<br>STEEL | 2" O.D. TUBING                |                  |
| B370C- $\frac{1}{2}$ " x $\frac{3}{8}$ " | $\frac{3}{8}$ "           |                         |                    |                               |                  |
| B370C- $\frac{1}{2}$ " x $\frac{1}{2}$ " | $\frac{1}{2}$ "           |                         |                    |                               |                  |
| B370A-2 x $\frac{1}{4}$ "                | $\frac{1}{4}$ "           | ZINC<br>PLATED<br>STEEL | BRASS              | 2" PIPE                       | $3\frac{1}{2}$ " |
| B370A-2 x $\frac{3}{8}$ "                | $\frac{3}{8}$ "           |                         |                    |                               |                  |
| B370A-2 x $\frac{1}{2}$ "                | $\frac{1}{2}$ "           |                         |                    |                               |                  |
| B370B-2 x $\frac{1}{4}$ "                | $\frac{1}{4}$ "           | STAINLESS<br>STEEL      | STAINLESS<br>STEEL | 2 $\frac{1}{8}$ " O.D. TUBING |                  |
| B370B-2 x $\frac{3}{8}$ "                | $\frac{3}{8}$ "           |                         |                    | 2 $\frac{1}{8}$ " O.D. TUBING |                  |
| B370B-2 x $\frac{1}{2}$ "                | $\frac{1}{2}$ "           |                         |                    | 2 $\frac{1}{8}$ " O.D. TUBING |                  |
| B370C-2 x $\frac{1}{4}$ "                | $\frac{1}{4}$ "           | ZINC<br>PLATED<br>STEEL | STAINLESS<br>STEEL | 2 $\frac{1}{8}$ " O.D. TUBING |                  |
| B370C-2 x $\frac{3}{8}$ "                | $\frac{3}{8}$ "           |                         |                    |                               |                  |
| B370C-2 x $\frac{1}{2}$ "                | $\frac{1}{2}$ "           |                         |                    |                               |                  |



FOR PRESSURES  
UP TO 125 P.S.I.



SCREWS ARE ZINC PLATED STEEL - EXCEPT STAINLESS STEEL IN "B" SERIES.

DESCRIPTION:  
NO. 8370-  
SPLIT EYLET CONNECTORS



**Spraying Systems Co.**<sup>®</sup>

Spray Nozzles and Accessories  
P.O. Box 7900 - Wheaton, Ill. 60189-7900

Rev. No.

Data Sheet No.

Ref.

**8370**

SHEET OF