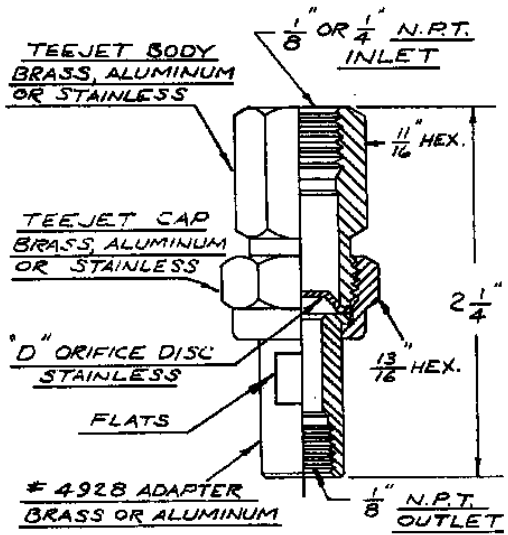
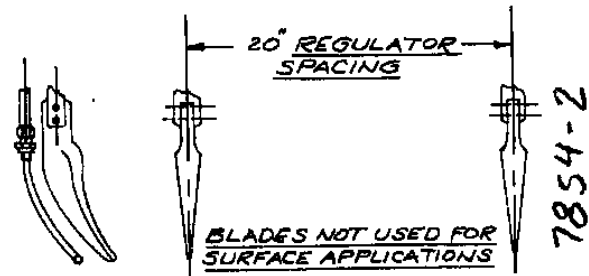


NOZZLE NO.	LIQUID PRESSURE IN P.S.I.	CAPACITY IN G.P.M.	GALLONS PER ACRE AT VARIOUS RIG SPEEDS AT 20" NOZZLE SPACING						
			10 LB./GAL. LIQUID FERTILIZER						
			2 M.P.H.	3 M.P.H.	4 M.P.H.	6 M.P.H.	8 M.P.H.	10 M.P.H.	
1/4 T DI 1/4 TT DI	1	.02	3.0	2.0	1.5	1.0	.74	.59	
	3	.04	5.4	3.6	2.7	1.8	1.4	1.1	
	5	.05	6.7	4.6	3.4	2.3	1.7	1.4	
	10	.07	10.8	7.2	5.5	3.6	2.7	2.2	
	15	.09	13.4	8.9	6.7	4.5	3.3	2.7	
	20	.10	14.8	9.9	7.5	4.9	3.7	3.0	
	25	.11	16.3	10.9	8.2	5.4	4.1	3.3	
	30	.12	17.6	11.8	8.8	5.8	4.4	3.6	
	40	.14	20.0	13.6	10.1	6.7	5.1	3.8	
	60	.17	26	17.1	12.9	8.6	6.5	5.1	
80	.20	29.7	19.8	14.9	9.9	7.4	5.9		
100	.23	34.2	22.8	17.1	11.4	8.5	6.8		
1/4 T D1.5 1/4 TT D1.5	1	.03	4.5	3.0	2.2	1.5	1.1	.89	
	3	.05	6.7	4.6	3.4	2.3	1.7	1.4	
	5	.06	9.3	6.2	4.6	3.1	2.3	1.9	
	10	.09	13.4	8.9	6.7	4.5	3.3	2.7	
	15	.11	16.3	10.9	8.2	5.4	4.1	3.3	
	20	.13	18.2	12.3	9.3	6.2	4.6	3.7	
	25	.14	20	13.6	10.1	6.7	5.1	3.8	
	30	.16	25	16.4	12.5	8.3	6.2	4.9	
	40	.18	27	18.2	13.6	9.0	6.7	5.4	
	60	.22	32	22	15.9	10.7	8.0	6.4	
80	.26	39	27	20	13.1	9.8	7.8		
100	.29	43	29	22	14.3	10.8	8.7		



LIQUID FERTILIZER SOLUTION		CONVERSION
WEIGHT	SPECIFIC GRAVITY	FACTOR
7.5 LBS./GAL.	.90	1.16
8.0 —" —	.96	1.12
8.5 —" —	1.02	1.08
9.0 —" —	1.08	1.05
9.5 —" —	1.14	1.02
10.0 —" —	1.20	1.00
10.5 —" —	1.26	.98
11.0 —" —	1.32	.95
11.5 —" —	1.38	.93
12.0 —" —	1.44	.91




FOR DIFFERENT WEIGHT FERTILIZER SOLUTIONS OBTAIN THE APPROPRIATE CONVERSION FACTOR FROM ABOVE TABLE. MULTIPLY THIS CONVERSION FACTOR BY TABULATED VALUES TO OBTAIN CORRECT GALLONAGE FOR EACH FERTILIZER.

TABULATION IS BASED ON SPRAYING LIQUID FERTILIZER SOLUTION WEIGHING 10 LBS. PER GALLON, 20" SPACING AND VARIOUS RIG SPEEDS & LIQUID PRESSURES.

P.S.I. = POUNDS PER SQ. INCH  
G.P.M. = GALLONS PER MINUTE  
M.P.H. = MILES PER HOUR

DESCRIPTION:  
  
CONVERSION CHART  
BALANCED MIXED FERTILIZER  
USING DISC TYPE TEEJETS  
WITH NO. 4928 ADAPTER  
LESS STRAINER AND CORE



**Spraying Systems Co.**  
Spray Nozzles and Accessories  
P.O. Box 7900 - Wheaton, Il. 60189-7900

Rev. No.	Data Sheet No.
Ref.	7854-2
	SHEET OF