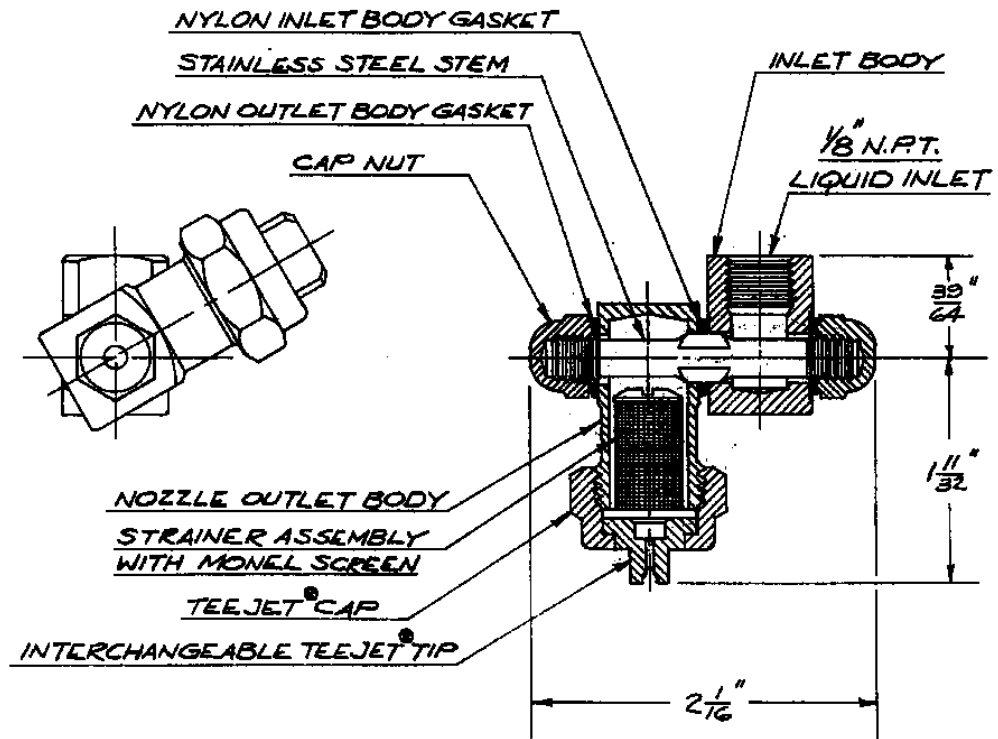


- THIS NOZZLE IS DESIGNED FOR USE ON THE END OF DROP PIPES FOR ROW CROP SPRAYING.
- THE OUTLET BODY CAN BE POSITIONED BY HAND TO ANY SETTING ON A 280° ARC - WITHOUT LOOSENING THE CAP NUTS - AND WITHOUT USING A WRENCH.
- THIS SETTING WILL HOLD IN SPIE OF VIBRATIONS AND MODERATE JARS.



FOR USE WITH STANDARD FLAT SPRAY TEEJET TIPS AND STANDARD CONE SPRAY TIPS. FOR SPRAY ANGLES AND CAPACITIES SEE DRAWINGS 2851 AND 4411.

DESCRIPTION:

**E7620B-T
COMPACT SINGLE SWIVEL
TEEJET NOZZLE**



Spraying Systems Co.®

Spray Nozzles and Accessories
P.O. Box 7900 - Wheaton, IL 60189-7900

Rev. No.

Data Sheet No.

Ref.

7620B-T

SHEET OF