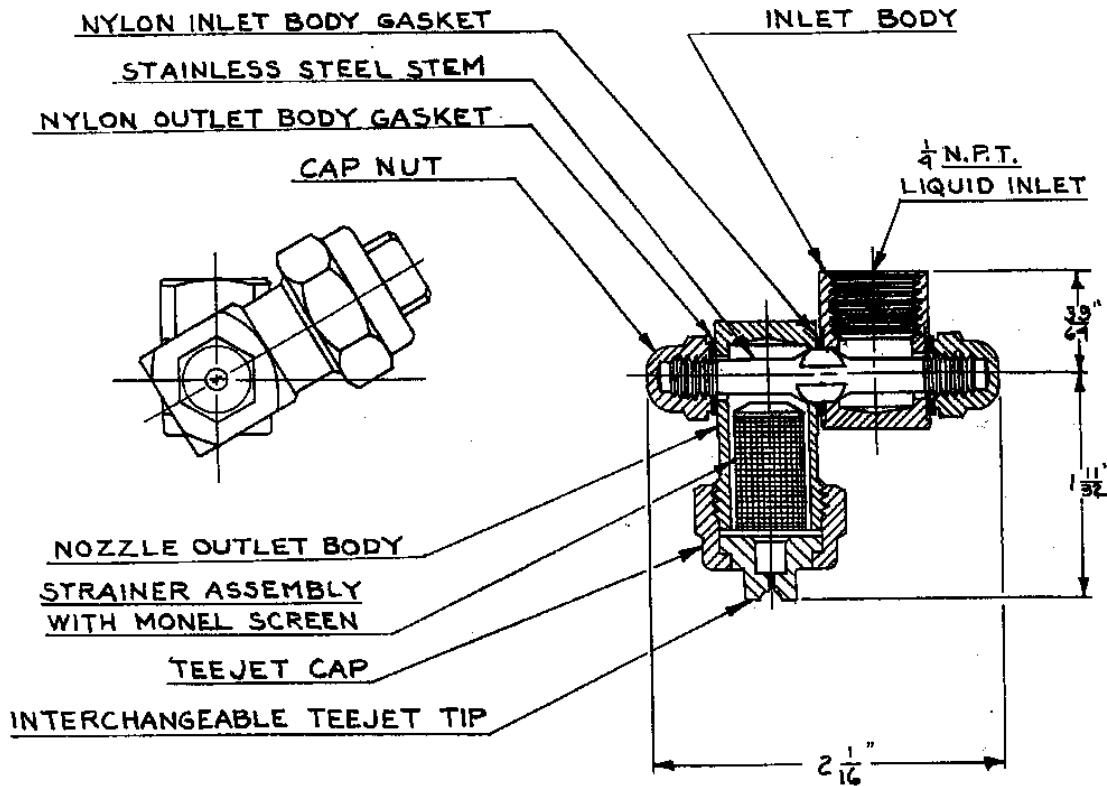


- THIS SPRAY NOZZLE CAN BE USED ON EITHER THE END DROP PIPE OF A SPRAY BOOM OR ON A HAND SPRAYER.
- THE NOZZLE CAN BE POSITIONED BY HAND TO ANY SETTING ON A 280° ARC—WITHOUT LOOSENING THE CAP NUTS—AND WITHOUT USING A WRENCH.
- THIS SETTING WILL HOLD IN SPITE OF VIBRATIONS AND MODERATE JARS.



FOR USE WITH STANDARD FLAT SPRAY TEEJET® TIPS AND STANDARD CONE SPRAY TIPS. FOR SPRAY ANGLES AND CAPACITIES SEE CATALOG 33 AND DRAWINGS 2851 AND 4411.

EACH OUTLET CAN ACCOMMODATE A TEEJET® NOZZLE UP TO .8 GPM CAPACITY

DESCRIPTION:

**E7620-T
COMPACT SINGLE SWIVEL
TEEJET NOZZLE**



Spraying Systems Co.®

**Spray Nozzles and Accessories
P.O. Box 7900 - Wheaton, IL 60189-7900**

Rev. No.

Data Sheet No.

7620-T

Ref.

SHEET OF