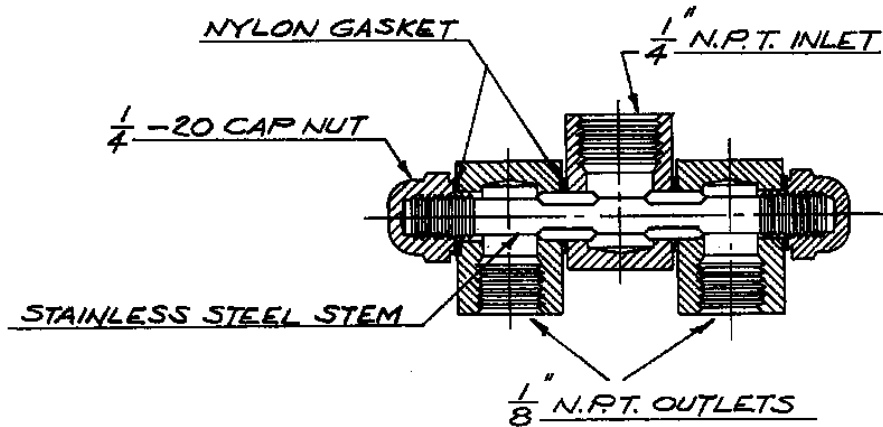
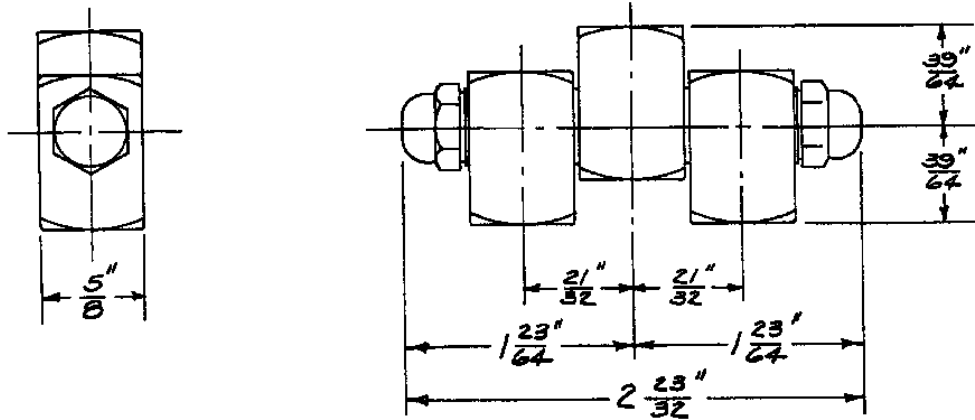


- THIS SWIVEL CONNECTOR IS DESIGNED FOR USE ON THE END OF DROP PIPES FOR ROW CROP SPRAYING.
- EACH OUTLET BODY CAN BE POSITIONED BY HAND TO ANY SETTING ON A 360° ARC - WITHOUT LOOSENING THE CAP NUTS - AND WITHOUT USING A WRENCH.
- THIS SETTING WILL HOLD IN SPITE OF VIBRATIONS AND MODERATE JARS.



AVAILABLE IN BRASS OR ALUMINUM

EACH OUTLET CAN ACCOMMODATE A TELEJET®  
NOZZLE UP TO 0.8 G.P.M. CAPACITY

**DESCRIPTION:**

NO. 7450C - 1/4 X 1/8  
COMPACT DOUBLE SWIVEL  
CONNECTOR



**Spraying Systems Co.®**

Spray Nozzles and Accessories  
P.O. Box 7900 - Wheaton, Il. 60189-7900

Rev. No.

Data Sheet No.

**7450C**

Ref.

SHEET OF