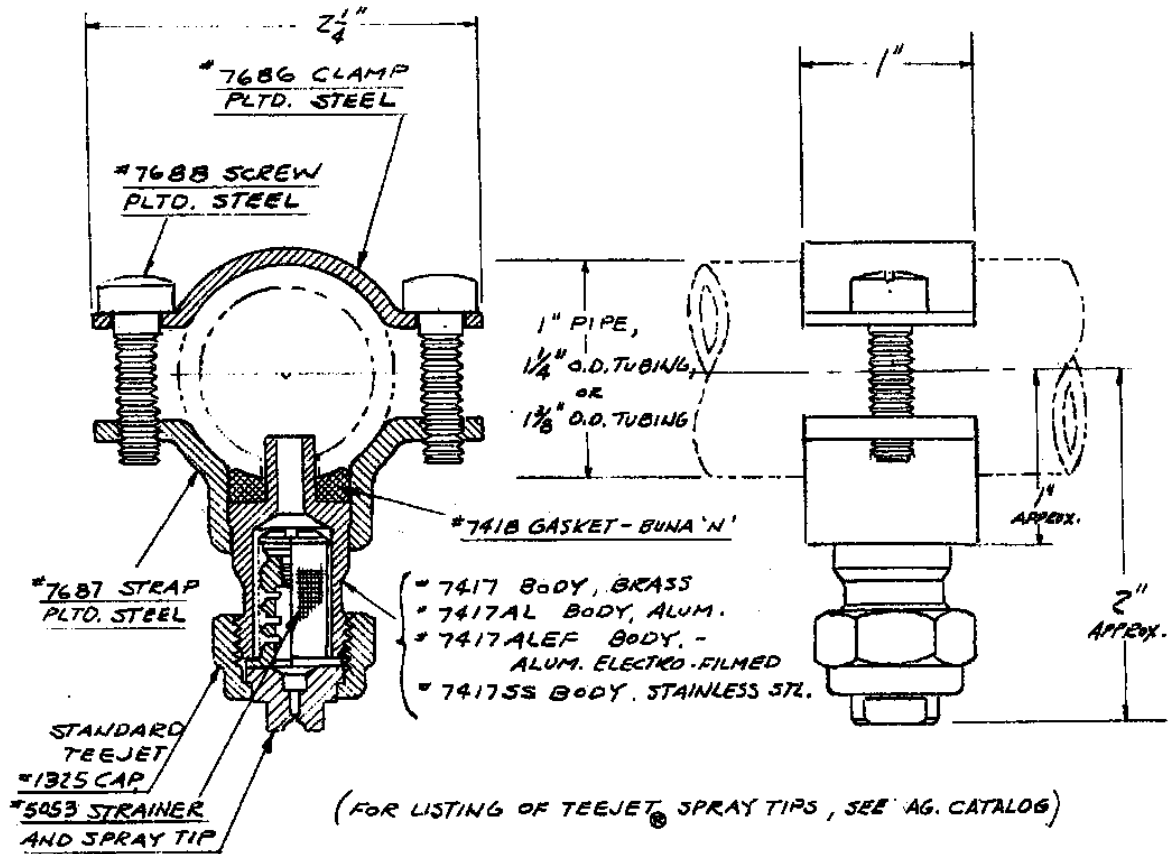


THE No. 7421-1T SPLIT-EYELET TEEJET® NOZZLE IS DESIGNED FOR QUICK AND STURDY MOUNTING ON 1" PIPE AND ON 1/4" O.D. AND 1/8" O.D. TUBING. TO ATTACH - DRILL A 7/32" DIA. HOLE IN PIPE OR TUBING - AND CLAMP SPLIT-EYELET IN POSITION WITH SCREWS AS SHOWN.



FOR USE WITH PRESSURES UP TO 250 p.s.i., TO ACCOMMODATE VARIOUS CHEMICALS, THE #7417-BODY CAN BE SUPPLIED IN A CHOICE OF BRASS, ALUMINUM, ALUMINUM ELECTRO-FILMED, OR STAINLESS STEEL. SEE BELOW FOR NOZZLE NO. TABULATION.

SPLIT-EYELET TEEJET NO.	MATERIAL OF BODY, TIP, CAP, AND STRAINER
7421 - 1T*	BRASS
7421 - 1TAL*	ALUMINUM
7421 - 1TALF*	ALUMINUM-ELECTRO-FILMED
7421 - 1TSS*	STAINLESS STEEL

* WHEN ORDERING COMPLETE NOZZLE ADD TEEJET TIP NUMBER. (SPLIT-EYELET ASSEMBLY ALSO SUPPLIED LESS TIP, CAP, AND STRAINER)

DESCRIPTION:

NO. 7421-1T
SPLIT EYELET TEEJET® NOZZLE



Spraying Systems Co.®

Spray Nozzles and Accessories
P.O. Box 7900 - Wheaton, Il. 60189-7900

Rev. No.

Data Sheet No.

7421-1

Ref.

SHEET OF