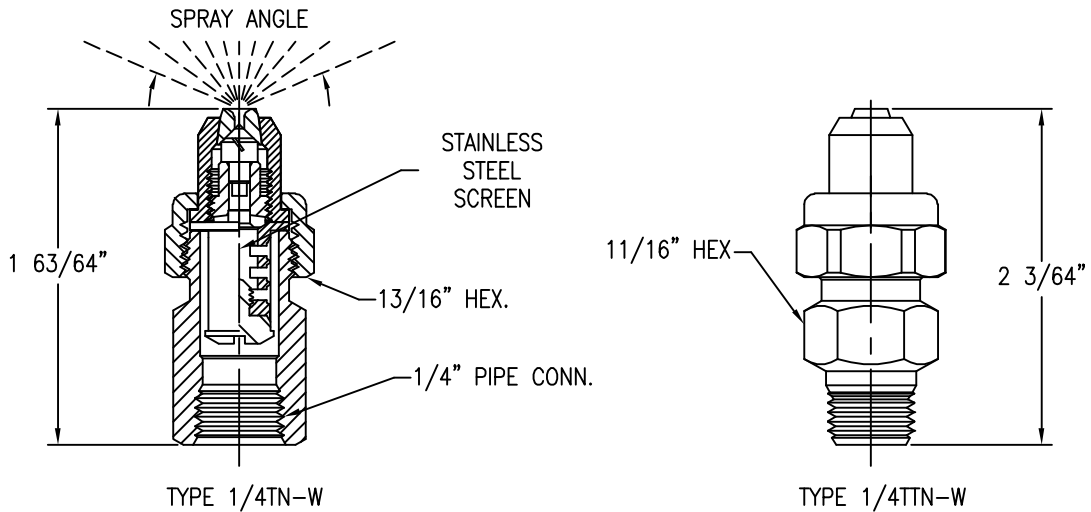


NOZZLE MADE OF BRASS WITH ORIFICE INSERT AND CORE TIP MADE OF STAINLESS STEEL.



NOZZLE NO.		ORIFICE DIA.	CORE NO.	CAPACITY G.P.H (GALLONS PER HOUR) AND SPRAY ANGLE AT P.S.I. (LBS. PER SQUARE INCH)							
TYPE TN-W FEMALE CONN.	TYPE TTN-W MALE CONN.			15	20	25	30	40	60	80	100
1/4TN2W	1/4TTN2W	0.039	210			1.6 168'	1.7 167'	2.0 165'	2.5 163'	2.8 158'	3.2 157'
1/4TN3W	1/4TTN3W	0.039	216	1.8 162'	2.1 161'	2.4 160'	2.6 159'	3.0 157'	3.7 154'	4.3 152'	4.8 150'
1/4TN4W	1/4TTN4W	0.060	220	2.5 160'	3.5 160'	4.0 160'	4.3 158'	5.0 156'	6.1 155'	7.1 155'	
1/4TN8W	1/4TTN8W	0.060	225	4.9 158'	5.6 158'	6.2 158'	6.8 155'	8.0 152'	9.7 150'		

ABOVE TABULATION BASED ON WATER AT 70' F.

**DESCRIPTION:**

**TYPE TN-W  
WIDE ANGLE HOLLOW CONE  
TEEJET NOZZLE**



**Spraying Systems Co.®**

**Spray Nozzles and Accessories  
P.O. Box 7900 - Wheaton, IL 60189-7900**

Rev. No.

Data Sheet No.

**7290**

Ref.

SHEET OF