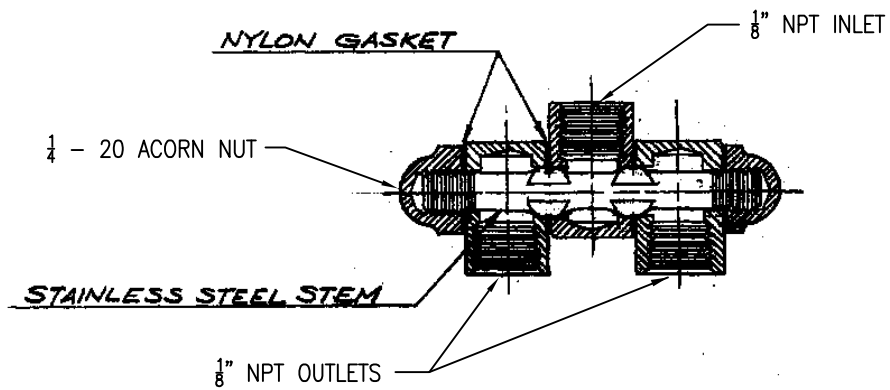
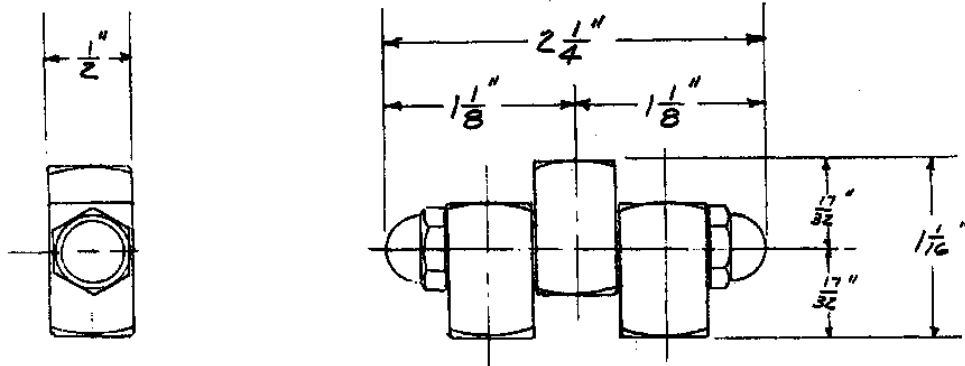


- THIS SWIVEL CONNECTOR IS DESIGNED FOR USE ON THE END OF DROP PIPES FOR ROW ROW CROP SPRAYING.
- EACH OUTLET BODY CAN BE POSITIONED BY HAND TO ANY SETTING ON A 360° ARC - WITHOUT LOOSENING THE CAP NUTS - AND WITHOUT USING A WRENCH.
- THIS SETTING WILL HOLD IN SPIE OF VIBRATIONS AND MODERATE JARS.



BRASS CONSTRUCTION

NET WEIGHT - 2 1/2 oz.

EACH OUTLET CAN ACCOMODATE A TEEJET® NOZZLE UP TO .8 GPM CAPACITY

DESCRIPTION:

NO. 7205 - 1/8 X 1/8
COMPACT DOUBLE SWIVEL
CONNECTOR



Spraying Systems Co.®

Spray Nozzles and Accessories
P.O. Box 7900 - Wheaton, Il. 60189-7900

Rev. No.

Data Sheet No.

7205

Ref.

SHEET OF