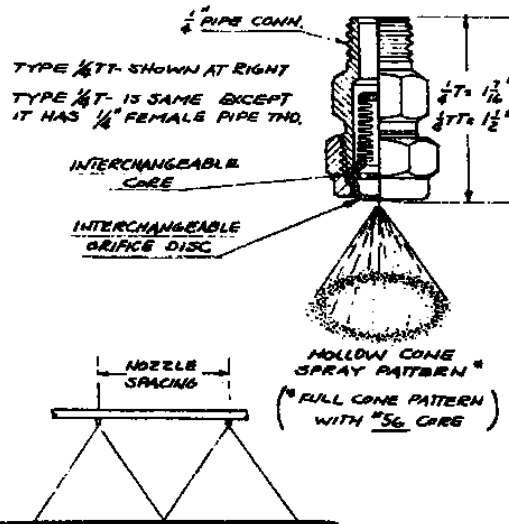


| NOZZLE NO. | PRESSURE IN P.S.I. | CAPACITY IN G.P.M. | GALLONS PER ACRE | | | | | | | | | | | |
|--------------|--------------------|--------------------|--|----------|----------|----------|--------------------|----------|----------|----------|--|--|--|--|
| | | | BASED ON SPRAYING SOLUTION WEIGHING 10 LBS. PER GALLON | | | | | | | | | | | |
| | | | 18" NOZZLE SPACING | | | | 20" NOZZLE SPACING | | | | | | | |
| | | | 3 M.P.H. | 4 M.P.H. | 5 M.P.H. | 6 M.P.H. | 3 M.P.H. | 4 M.P.H. | 5 M.P.H. | 6 M.P.H. | | | | |
| 1/4 T D4-23 | 15 | .09 | 10.0 | 7.5 | 6.0 | 5.0 | 9.0 | 6.8 | 5.4 | 4.5 | | | | |
| | 20 | .10 | 11.3 | 8.5 | 6.8 | 5.7 | 10.2 | 7.6 | 6.1 | 5.1 | | | | |
| | 25 | .12 | 13.1 | 9.8 | 7.9 | 6.6 | 11.8 | 8.8 | 7.1 | 5.9 | | | | |
| | 30 | .13 | 14.1 | 10.6 | 8.5 | 7.1 | 12.7 | 9.5 | 7.6 | 6.4 | | | | |
| | 35 | .132 | 14.5 | 10.9 | 8.7 | 7.3 | 13.1 | 9.8 | 7.8 | 6.5 | | | | |
| 1/4 TT D4-23 | 15 | .14 | 15.1 | 11.3 | 9.0 | 7.5 | 13.6 | 10.2 | 8.2 | 6.8 | | | | |
| | 20 | .17 | 18.2 | 13.6 | 10.9 | 9.1 | 16.3 | 12.3 | 9.8 | 8.2 | | | | |
| | 25 | .19 | 21 | 15.8 | 12.7 | 10.4 | 18.0 | 14.3 | 11.3 | 9.5 | | | | |
| | 30 | .21 | 23 | 17.4 | 13.9 | 11.6 | 21 | 15.6 | 12.5 | 10.4 | | | | |
| | 35 | .23 | 25 | 19.0 | 15.2 | 12.7 | 23 | 17.1 | 13.6 | 11.4 | | | | |
| 1/4 T D4-25 | 15 | .25 | 28 | 21 | 16.3 | 14.1 | 25 | 19.0 | 15.2 | 12.7 | | | | |
| | 20 | .29 | 32 | 24 | 19.2 | 16.1 | 29 | 22 | 17.3 | 14.3 | | | | |
| | 25 | .33 | 36 | 27 | 22 | 18.2 | 33 | 25 | 19.6 | 16.3 | | | | |
| | 30 | .36 | 39 | 29 | 23 | 19.6 | 36 | 26 | 21 | 17.6 | | | | |
| | 35 | .38 | 42 | 32 | 25 | 21 | 40 | 29 | 23 | 19.0 | | | | |
| 1/4 TT D4-25 | 15 | .27 | 29 | 22 | 17.3 | 14.6 | 26 | 20 | 15.7 | 13.1 | | | | |
| | 20 | .31 | 33 | 25 | 19.6 | 16.7 | 29 | 22 | 17.3 | 14.3 | | | | |
| | 25 | .35 | 37 | 28 | 22 | 18.2 | 33 | 25 | 19.6 | 16.3 | | | | |
| | 30 | .38 | 40 | 30 | 23 | 19.6 | 36 | 26 | 21 | 17.6 | | | | |
| | 35 | .41 | 43 | 32 | 25 | 21 | 40 | 29 | 23 | 19.0 | | | | |
| 1/4 T D4-45 | 15 | .26 | 28 | 21 | 16.3 | 14.1 | 25 | 19.0 | 15.2 | 12.7 | | | | |
| | 20 | .29 | 32 | 24 | 19.2 | 16.1 | 29 | 22 | 17.3 | 14.3 | | | | |
| | 25 | .33 | 36 | 27 | 22 | 18.2 | 33 | 25 | 19.6 | 16.3 | | | | |
| | 30 | .36 | 39 | 29 | 23 | 19.6 | 36 | 26 | 21 | 17.6 | | | | |
| | 35 | .38 | 42 | 32 | 25 | 21 | 40 | 29 | 23 | 19.0 | | | | |
| 1/4 TT D4-45 | 15 | .27 | 29 | 22 | 17.3 | 14.6 | 26 | 20 | 15.7 | 13.1 | | | | |
| | 20 | .31 | 33 | 25 | 19.6 | 16.7 | 29 | 22 | 17.3 | 14.3 | | | | |
| | 25 | .35 | 37 | 28 | 22 | 18.2 | 33 | 25 | 19.6 | 16.3 | | | | |
| | 30 | .38 | 40 | 30 | 23 | 19.6 | 36 | 26 | 21 | 17.6 | | | | |
| | 35 | .41 | 43 | 32 | 25 | 21 | 40 | 29 | 23 | 19.0 | | | | |
| 1/4 T D4-46 | 15 | .31 | 34 | 26 | 21 | 17.1 | 31 | 23 | 18.5 | 15.4 | | | | |
| | 20 | .36 | 39 | 29 | 23 | 19.6 | 35 | 26 | 21 | 17.6 | | | | |
| | 25 | .40 | 44 | 33 | 26 | 22 | 40 | 30 | 24 | 20 | | | | |
| | 30 | .44 | 48 | 36 | 29 | 24 | 43 | 33 | 26 | 22 | | | | |
| | 35 | .48 | 52 | 39 | 31 | 26 | 47 | 35 | 28 | 24 | | | | |
| 1/4 TT D4-46 | 15 | .31 | 34 | 26 | 21 | 17.1 | 31 | 23 | 18.5 | 15.4 | | | | |
| | 20 | .36 | 39 | 29 | 23 | 19.6 | 35 | 26 | 21 | 17.6 | | | | |
| | 25 | .40 | 44 | 33 | 26 | 22 | 40 | 30 | 24 | 20 | | | | |
| | 30 | .44 | 48 | 36 | 29 | 24 | 43 | 33 | 26 | 22 | | | | |
| | 35 | .48 | 52 | 39 | 31 | 26 | 47 | 35 | 28 | 24 | | | | |
| 1/4 T D4-56 | 15 | .31 | 34 | 26 | 21 | 17.1 | 31 | 23 | 18.5 | 15.4 | | | | |
| | 20 | .36 | 39 | 29 | 23 | 19.6 | 35 | 26 | 21 | 17.6 | | | | |
| | 25 | .40 | 44 | 33 | 26 | 22 | 40 | 30 | 24 | 20 | | | | |
| | 30 | .44 | 48 | 36 | 29 | 24 | 43 | 33 | 26 | 22 | | | | |
| | 35 | .48 | 52 | 39 | 31 | 26 | 47 | 35 | 28 | 24 | | | | |
| 1/4 TT D4-56 | 15 | .31 | 34 | 26 | 21 | 17.1 | 31 | 23 | 18.5 | 15.4 | | | | |
| | 20 | .36 | 39 | 29 | 23 | 19.6 | 35 | 26 | 21 | 17.6 | | | | |
| | 25 | .40 | 44 | 33 | 26 | 22 | 40 | 30 | 24 | 20 | | | | |
| | 30 | .44 | 48 | 36 | 29 | 24 | 43 | 33 | 26 | 22 | | | | |
| | 35 | .48 | 52 | 39 | 31 | 26 | 47 | 35 | 28 | 24 | | | | |
| 1/4 T D6-23 | 15 | .12 | 13.6 | 10.2 | 8.2 | 6.8 | 12.3 | 9.2 | 7.4 | 6.1 | | | | |
| | 20 | .14 | 15.1 | 11.3 | 9.1 | 7.5 | 13.8 | 10.2 | 8.1 | 6.8 | | | | |
| | 25 | .16 | 17.1 | 12.8 | 10.3 | 8.6 | 15.4 | 11.5 | 9.2 | 7.7 | | | | |
| | 30 | .17 | 19.1 | 14.3 | 11.5 | 9.6 | 17.2 | 12.9 | 10.3 | 8.6 | | | | |
| | 35 | .18 | 20 | 15.2 | 12.1 | 10.1 | 18.2 | 13.6 | 10.9 | 9.1 | | | | |
| 1/4 TT D6-23 | 15 | .19 | 21 | 15.9 | 12.7 | 10.6 | 19.1 | 14.3 | 11.5 | 9.5 | | | | |
| | 20 | .22 | 24 | 18.3 | 14.1 | 11.6 | 21 | 15.6 | 12.5 | 10.4 | | | | |
| | 25 | .25 | 27 | 20.7 | 15.2 | 12.7 | 23 | 17.1 | 13.6 | 11.4 | | | | |
| | 30 | .28 | 30 | 23.1 | 16.5 | 13.8 | 25 | 18.6 | 14.8 | 12.4 | | | | |
| | 35 | .31 | 33 | 25.5 | 17.8 | 14.9 | 27 | 20.1 | 16.1 | 13.4 | | | | |
| 1/4 T D6-25 | 15 | .26 | 28 | 21 | 16.3 | 14.1 | 25 | 19.0 | 15.2 | 12.7 | | | | |
| | 20 | .29 | 32 | 24 | 19.2 | 16.1 | 29 | 22 | 17.3 | 14.3 | | | | |
| | 25 | .32 | 35 | 26 | 21 | 17.6 | 32 | 24 | 19.0 | 15.3 | | | | |
| | 30 | .36 | 39 | 29 | 23 | 19.6 | 35 | 26 | 21 | 17.6 | | | | |
| | 35 | .38 | 42 | 32 | 25 | 21 | 38 | 28 | 23 | 19.0 | | | | |
| 1/4 TT D6-25 | 15 | .27 | 29 | 22 | 17.3 | 14.6 | 26 | 20 | 15.7 | 13.1 | | | | |
| | 20 | .31 | 33 | 25 | 19.6 | 16.7 | 29 | 22 | 17.3 | 14.3 | | | | |
| | 25 | .35 | 37 | 28 | 22 | 18.2 | 33 | 25 | 19.6 | 16.3 | | | | |
| | 30 | .38 | 40 | 30 | 23 | 19.6 | 36 | 26 | 21 | 17.6 | | | | |
| | 35 | .41 | 43 | 32 | 25 | 21 | 40 | 29 | 23 | 19.0 | | | | |
| 1/4 T D6-45 | 15 | .32 | 35 | 26 | 21 | 17.6 | 32 | 24 | 19.0 | 15.3 | | | | |
| | 20 | .37 | 41 | 31 | 25 | 21 | 37 | 28 | 22 | 18.5 | | | | |
| | 25 | .41 | 45 | 34 | 27 | 23 | 41 | 30 | 24 | 20 | | | | |
| | 30 | .46 | 50 | 38 | 30 | 25 | 45 | 34 | 27 | 23 | | | | |
| | 35 | .49 | 54 | 41 | 33 | 27 | 49 | 37 | 29 | 24 | | | | |
| 1/4 TT D6-45 | 15 | .32 | 35 | 26 | 21 | 17.6 | 32 | 24 | 19.0 | 15.3 | | | | |
| | 20 | .37 | 41 | 31 | 25 | 21 | 37 | 28 | 22 | 18.5 | | | | |
| | 25 | .41 | 45 | 34 | 27 | 23 | 41 | 30 | 24 | 20 | | | | |
| | 30 | .46 | 50 | 38 | 30 | 25 | 45 | 34 | 27 | 23 | | | | |
| | 35 | .49 | 54 | 41 | 33 | 27 | 49 | 37 | 29 | 24 | | | | |
| 1/4 T D6-46 | 15 | .36 | 39 | 29 | 23 | 19.6 | 35 | 26 | 21 | 17.6 | | | | |
| | 20 | .41 | 44 | 33 | 26 | 22 | 40 | 30 | 24 | 20 | | | | |
| | 25 | .46 | 49 | 37 | 29 | 24 | 44 | 33 | 26 | 22 | | | | |
| | 30 | .51 | 54 | 41 | 33 | 27 | 48 | 36 | 28 | 24 | | | | |
| | 35 | .56 | 59 | 45 | 36 | 30 | 52 | 39 | 30 | 26 | | | | |
| 1/4 TT D6-46 | 15 | .36 | 39 | 29 | 23 | 19.6 | 35 | 26 | 21 | 17.6 | | | | |
| | 20 | .41 | 44 | 33 | 26 | 22 | 40 | 30 | 24 | 20 | | | | |
| | 25 | .46 | 49 | 37 | 29 | 24 | 44 | 33 | 26 | 22 | | | | |
| | 30 | .51 | 54 | 41 | 33 | 27 | 48 | 36 | 28 | 24 | | | | |
| | 35 | .56 | 59 | 45 | 36 | 30 | 52 | 39 | 30 | 26 | | | | |
| 1/4 T D6-56 | 15 | .61 | 67 | 50 | 40 | 34 | 60 | 45 | 36 | 30 | | | | |
| | 20 | .71 | 78 | 59 | 47 | 39 | 70 | 53 | 42 | 35 | | | | |
| | 25 | .80 | 88 | 66 | 53 | 44 | 79 | 59 | 48 | 39 | | | | |
| | 30 | .87 | 96 | 72 | 57 | 48 | 86 | 65 | 52 | 43 | | | | |
| | 35 | .94 | 103 | 77 | 62 | 52 | 93 | 69 | 56 | 47 | | | | |
| 1/4 TT D6-56 | 15 | .61 | 67 | 50 | 40 | 34 | 60 | 45 | 36 | 30 | | | | |
| | 20 | .71 | 78 | 59 | 47 | 39 | 70 | 53 | 42 | 35 | | | | |
| | 25 | .80 | 88 | 66 | 53 | 44 | 79 | 59 | 48 | 39 | | | | |
| | 30 | .87 | 96 | 72 | 57 | 48 | 86 | 65 | 52 | 43 | | | | |
| | 35 | .94 | 103 | 77 | 62 | 52 | 93 | 69 | 56 | 47 | | | | |

P.S.I. = PRESSURE IN LBS. PER SQUARE INCH
 G.P.M. = CAPACITY 1 NOZZLE IN GALLONS PER MINUTE
 M.P.H. = RIG SPEED IN MILES PER HOUR
 G.P.A. = COVERAGE IN GALLONS PER ACRE...



CONVERSION FACTORS TO OBTAIN GALLONAGES OF OTHER SOLUTIONS MULTIPLY TABULATED VALUE BY CORR. FACTOR

| SOLUTION DATA | | | | CONVERSION FACTOR |
|-------------------|------------------|------|--|-------------------|
| POUNDS PER GALLON | SPECIFIC GRAVITY | NAME | | |
| 7.5 | .90 | | | |