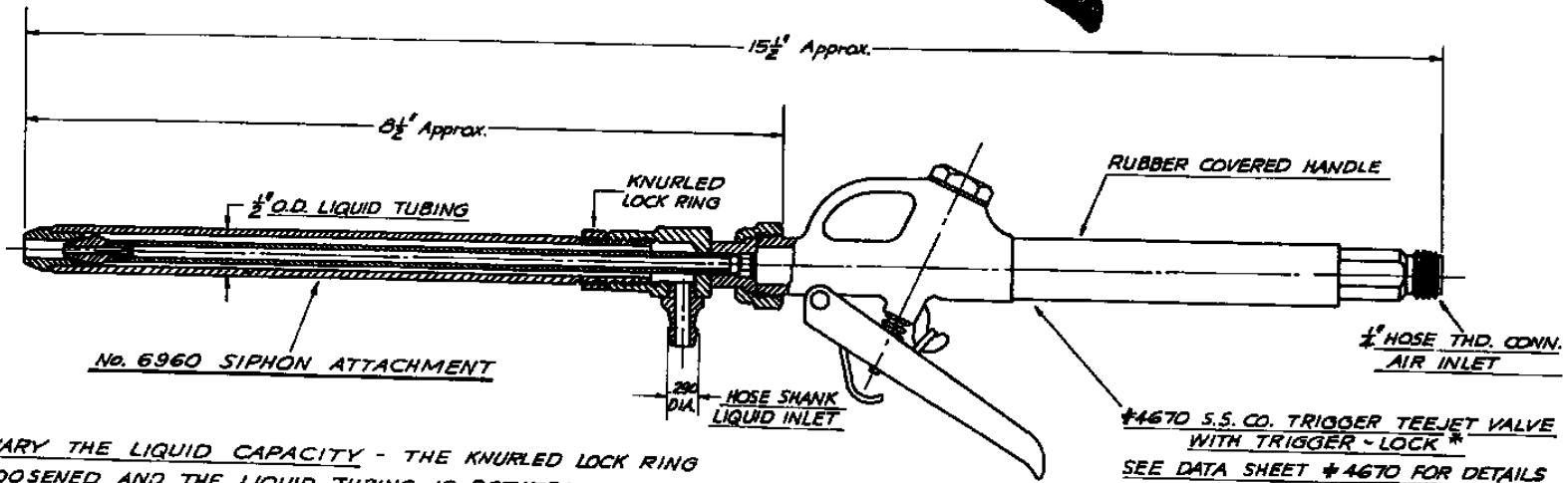


BRASS CONSTRUCTION



TO VARY THE LIQUID CAPACITY - THE KNURLED LOCK RING IS LOOSENED AND THE LIQUID TUBING IS ROTATED TO THE DESIRED SETTING. THE LOCK RING CAN THEN BE USED TO LOCK THE SIPHON ATTACHMENT IN THIS SETTING IF DESIRED. THE AIR FLOW REMAINS CONSTANT FOR ALL SETTINGS AT ANY GIVEN AIR PRESSURE.

MAXIMUM FLOW RATES THRU No. 6960 SIPHON ATTACHMENT						
AIR PRESSURE - p.s.i.g. →	20	30	40	60	80	100
AIR FLOW - C.F.M. (FREE AIR) →	1.7	2.2	2.7	3.6	4.7	6.0
MAX. WATER FLOW - G.P.M. →	.06	.09	.10	.16	.19	.24

NOTE: FOR SOLID PIPE MOUNTING SETUPS (INSTEAD OF THE HAND VALVES SHOWN ABOVE), THE No. 6960 SIPHON ATTACHMENT CAN BE USED WITH THE STANDARD 1/4" T AND 1/8" TT NOZZLE BODIES SHOWN IN INDUSTRIAL CATALOG.

\* IF DESIRED, THE No. 6960 SIPHON ATTACHMENT CAN ALSO BE SUPPLIED WITH THE No. 6466 TRIGGER TEEJET (WITH RUBBER COVERED HANDLE) WITH NON-LOCKING TRIGGER. SEE DATA SHEET NO. 6496.  
IF PISTOL-GRIP VALVE HANDLE IS PREFERRED, SEE DATA SHEET 6960-1.

DESCRIPTION:  
NO. 6960 SIPHON ATTACHMENT  
WITH NO 4670 S.S.CO. TRIGGER  
TEEJET VALVE & HANDLE ASSEMBLY



**Spraying Systems Co.**

Spray Nozzles and Accessories  
P.O. Box 7900 - Wheaton, Ill. 60189-7900

Rev. No.

Data Sheet No.

6960

Ref.

SHEET OF