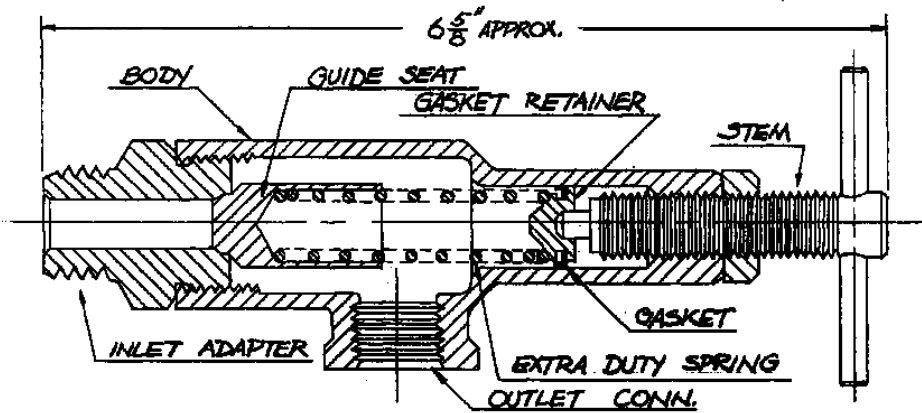
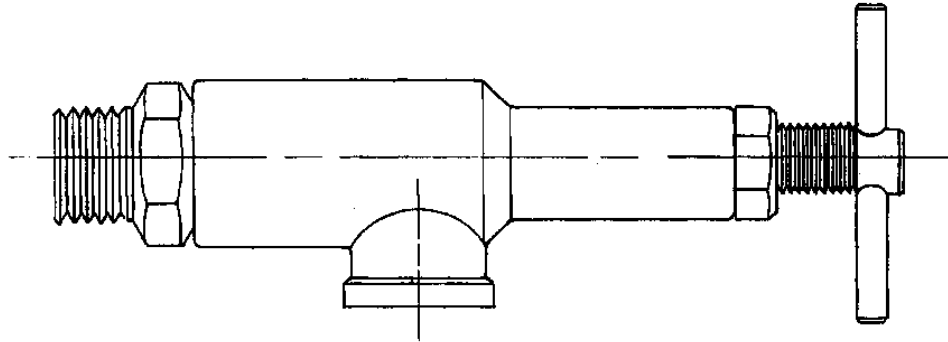


TYPE 6815--1200 PRESSURE RELIEF VALVE : MAX. ADJUSTMENT 1200 P.S.I.



MODEL NO.	INLET- OUTLET (N.R.T.)	MATERIAL CONSTRUCTION		
		BODY	GUIDE SEAT	INLET ADAPTER
6815-1/2-HSS-1200	1/2"	BRASS	HARDENED STAINLESS STEEL	HARDENED STAINLESS STEEL
6815-AL-1/2-HSS-1200	1/2"	ALUM.		
6815-3/4-HSS-1200	3/4"	BRASS	HARDENED STAINLESS STEEL	HARDENED STAINLESS STEEL
6815-AL-3/4-HSS-1200	3/4"	ALUM.		

MAXIMUM FLOW RATES THRU VALVE AT VARIOUS LIQUID PRESSURES												
PRESSURE IN P.S.I.	10	15	20	25	30	35	40	50	60	70	80	100
MAX. FLOW IN G.P.M.	10	12	14	15	16	17	18	19	20	21	22	23

P.S.I. = LBS. PER SQUARE INCH

G.P.M. = GALLONS PER MINUTE

DESCRIPTION:
TYPE 6815--HSS-1200
PRESSURE RELIEF VALVE



Spraying Systems Co.[®]

Spray Nozzles and Accessories
P.O. Box 7900 - Wheaton, Il. 60189-7900

Rev. No.

Data Sheet No.

6815-1200

Ref.

SHEET OF