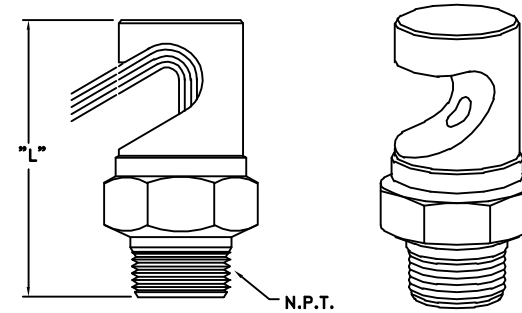


NOZZLE DESCRIPTION				LIQUID PRESSURE IN bar	CAPACITY IN L/min	"W" IN cm	LITERS PER HECTARE					
NOZZLE No.	PIPE CONN.	ORIFICE DIA. mm	"L" mm				3 km/h	4 km/h	6 km/h	8 km/h	12 km/h	16 km/h
1/4 KLC-5	1/4"	1.93	38.1	1	2.28	427	107	80	53	40	26	19
				1.5	2.79	518	108	81	54	41	27	20
				2	3.22	549	117	88	59	44	29	22
				2.5	3.60	640	113	84	56	42	28	21
1/4 KLC-9	1/4"	2.54	38.1	1	4.10	488	168	126	84	63	42	31
				1.5	5.02	549	182	137	91	68	45	34
				2	5.80	579	200	150	100	75	50	37
				2.5	6.49	640	203	152	101	76	51	38
1/4 KLC-18	1/4"	3.55	42.9	1	8.20	549	299	224	149	112	75	56
				1.5	10.05	610	329	247	164	123	82	62
				2	11.60	640	362	272	181	136	90	68
				2.5	12.97	671	386	290	193	145	96	72
1/4 KLC-36	1/4"	5.05	50.8	1	16.40	579	566	425	283	212	142	106
				1.5	20.1	671	599	449	299	224	150	112
				2	23.2	731	634	476	317	238	158	119
				2.5	25.9	792	645	490	327	245	163	122
3/4 KLC-50	3/4"	5.95	68.3	1	22.8	610	747	560	373	280	187	140
				1.5	27.9	701	796	597	398	298	199	149
				2	32.2	792	814	610	407	305	203	153
				2.5	36.0	853	844	633	422	317	211	158
3/4 KLC-72	3/4"	7.14	68.3	1	32.8	640	1025	769	513	385	256	192
				1.5	40.2	762	1055	791	527	395	264	198
				2	46.4	876	1060	794	530	397	265	199
				2.5	51.9	945	1098	823	549	412	274	206
3/4 KLC-108	3/4"	8.73	73.0	1	49.2	701	1404	1053	702	526	351	263
				1.5	60.3	853	1413	1060	706	530	353	265
				2	69.6	975	1427	1070	713	535	356	267
				2.5	77.8	1060	1460	1095	730	547	365	274

TABULATION IS BASED ON SPRAYING WATER AT TEMPERATURE OF 21° C. COVERAGES ARE BASED ON RIG BEING IN MOTION AT SPEEDS LISTED.

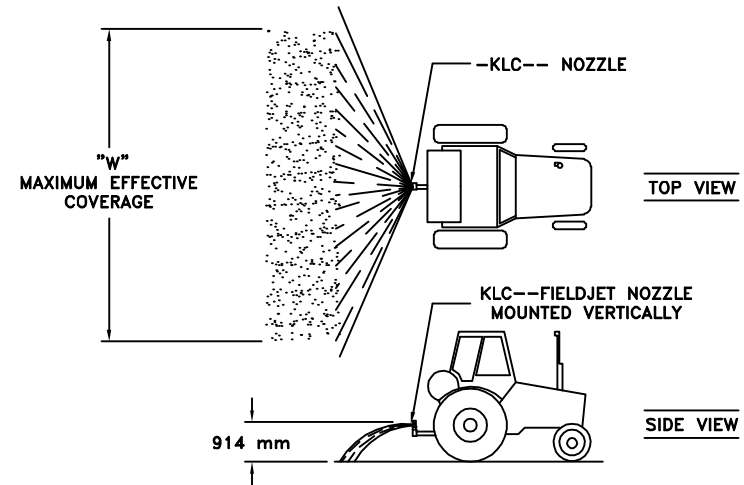
THE KLC NOZZLES CAN ALSO BE USED FOR HAND SPRAYING APPLICATIONS WITH S.S.Co. GUNJETS. WRITE FOR DRAWINGS.


L/min = LITERS PER MINUTE
 L/ha = LITERS PER HECTARE
 W = SPRAY COVERAGE IN cm
 km/h = KILOMETERS PER HOUR



-KLC-- NOZZLE

THE KLC NOZZLES ARE AVAILABLE IN BRASS AND STAINLESS STEEL.



DESCRIPTION TYPE KLC-- FIELDJET® NOZZLE (METRIC)	 Spraying Systems Co. Spray Nozzles and Accessories North Avenue at Schmale Rd. • P.O. Box 7900 Wheaton, IL 60189-7900	
	Ref:	Data Sheet No. 6797M
Revision No.		