

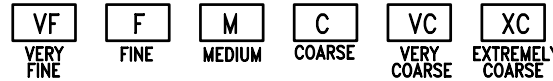
# XR TeeJet Duo

DUAL POLYMER FLAT SPRAY TIPS WITH **VisiFlo** COLOR CODING

\*NOTE: FOR 75 cm TIP SPACING MULTIPLY CHART VALUES BY 0.67.

Droplet size classifications are based on BCPC specifications and in accordance with ASAE Standard S-572 at the date of printing. Classifications are subject to change.

### DROPLET SIZE CATEGORIES



SPRAY ANGLE	OPTIMUM SPRAY HEIGHT	
	50 cm SPACING	75 cm SPACING
110°	50 cm	75 cm

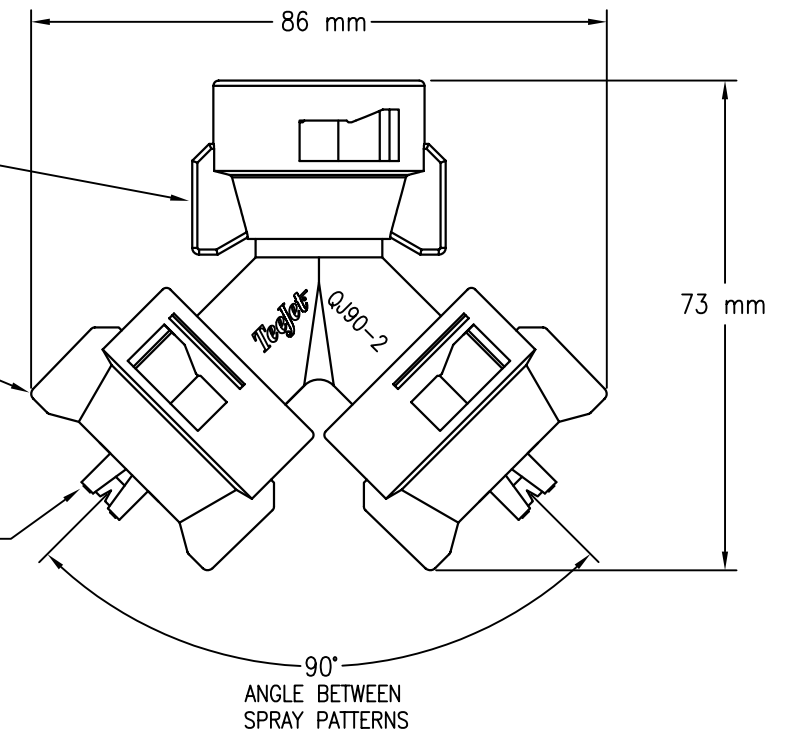
TIP AND CAP COLOR	TIP No. STRAINER SCREEN SIZE	LIQUID PRESSURE (BAR)	CAPACITY 2 NOZZLES (l/min)	LITERS PER HECTARE 50 cm SPACING*										DROP SIZE CLASSIFICATION
				4 km/hr	5 km/hr	6 km/hr	8 km/hr	10 km/hr	12 km/hr	16 km/hr	20 km/hr	25 km/hr	30 km/hr	
GREEN	QJ90-2XXR110015-VP (100 MESH)	1.0	0.68	204	163	136	102	81.6	68.0	51.0	40.8	32.6	27.2	F
		1.5	0.83	249	199	166	125	99.6	83.0	62.3	49.8	39.8	33.2	F
		2.0	0.96	288	230	192	144	115	96.0	72.0	57.6	46.1	38.4	F
		3.0	1.18	354	283	236	177	142	118	88.5	70.8	56.6	47.2	F
		4.0	1.36	408	326	272	204	163	136	102	81.6	65.3	54.4	F
5.0	1.52	456	365	304	228	182	152	114	91.2	73.0	60.8	VF		
YELLOW	QJ90-2XXR11002-VP (50 MESH)	1.0	0.91	273	218	182	137	109	91.0	68.3	54.6	43.7	36.4	M
		1.5	1.12	336	269	224	168	134	112	84.0	67.2	53.8	44.8	F
		2.0	1.29	387	310	258	194	155	129	96.8	77.4	61.9	51.6	F
		3.0	1.58	474	379	316	237	190	158	119	94.8	75.8	63.2	F
		4.0	1.82	546	437	364	273	218	182	137	109	87.4	72.8	F
5.0	2.04	612	490	408	306	245	204	153	122	97.9	81.6	F		
BLUE	QJ90-2XXR11003-VP (50 MESH)	1.0	1.37	411	329	274	206	164	137	103	82.2	65.8	54.8	M
		1.5	1.68	504	403	336	252	202	168	126	101	80.6	67.2	M
		2.0	1.94	582	466	388	291	233	194	146	116	93.1	77.6	F
		3.0	2.37	711	569	474	356	284	237	178	142	114	94.8	F
		4.0	2.74	822	658	548	411	329	274	206	164	132	110	F
5.0	3.06	918	734	612	459	367	306	230	184	147	122	F		
RED	QJ90-2XXR11004-VP (50 MESH)	1.0	1.82	546	437	364	273	218	182	137	109	87.4	72.8	M
		1.5	2.23	669	535	446	335	268	223	167	134	107	89.2	M
		2.0	2.58	774	619	516	387	310	258	194	155	124	103	M
		3.0	3.16	948	758	632	474	379	316	237	190	152	126	M
		4.0	3.65	1095	876	730	548	438	365	274	219	175	146	F
5.0	4.08	1224	979	816	612	490	408	306	245	196	163	F		
BROWN	QJ90-2XXR11005-VP (50 MESH)	1.0	2.28	684	547	456	342	274	228	171	137	109	91.2	C
		1.5	2.79	837	670	558	419	335	279	209	167	134	112	M
		2.0	3.23	969	775	646	485	388	323	242	194	155	129	M
		3.0	3.95	1185	948	790	593	474	395	296	237	190	158	M
		4.0	4.56	1368	1094	912	684	547	456	342	274	219	182	M
5.0	5.10	1530	1224	1020	765	612	510	383	306	245	204	F		
GRAY	QJ90-2XXR11006-VP (50 MESH)	1.0	2.74	822	658	548	411	329	274	206	164	132	110	C
		1.5	3.35	1005	804	670	503	402	335	251	201	161	134	C
		2.0	3.87	1161	929	774	581	464	387	290	232	186	155	M
		3.0	4.74	1422	1138	948	711	569	474	356	284	228	190	M
		4.0	5.47	1641	1313	1094	821	656	547	410	328	263	219	M
5.0	6.12	1836	1469	1224	918	734	612	459	367	294	245	M		
WHITE	QJ90-2XXR11008-VP (50 MESH)	1.0	3.65	1095	876	730	548	438	365	274	219	175	146	C
		1.5	4.47	1341	1073	894	671	536	447	335	268	215	179	C
		2.0	5.16	1548	1238	1032	774	619	516	387	310	248	206	C
		3.0	6.32	1896	1517	1264	948	758	632	474	379	303	253	M
		4.0	7.30	2190	1752	1460	1095	876	730	548	438	350	292	M
5.0	8.16	2448	1958	1632	1224	979	816	612	490	392	326	M		

TABULATION BASED ON SPRAYING WATER AT 21° C.

QJ90-2-NYR DUAL OUTLET ADAPTER (NYLON, BLACK) INCLUDES CP19438-EPR GASKET (EPDM)

25612-\*-NYR QUICK TEEJET CAP (NYLON) AND GASKET (EPDM) (2 INCLUDED)

XR110\_\_-VP XR TEEJET SPRAY TIP (ACETAL) (2 INCLUDED)



### FEATURES:

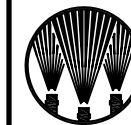
- DUAL, ANGLED SPRAY PATTERNS HELP TO BETTER PENETRATE CROP CANOPY AND PROVIDE THOROUGH LEAF COVERAGE.
- PARTICULARLY WELL SUITED FOR FUNGICIDE APPLICATION.
- QJ90-2-NYR ADAPTER UTILIZES QUICK TEEJET® INLET AND OUTLET CONNECTIONS FOR FAST AND EASY INSTALLATION.
- QJ90-2-NYR ADAPTER FEATURES A 90° INCLUDED ANGLE BETWEEN OUTLETS.
- EXTENDED RANGE (XR) TIP OFFERS LOWER OPERATING PRESSURE AND WIDER OPERATING RANGE THAN A STANDARD TWINJET® (TJ60) TIP.
- OFFERS IMPROVED PENETRATION AND COVERAGE AS COMPARED TO A SINGLE FLAT SPRAY TIP OF EQUAL CAPACITY. OFFERS SIMILAR DROPLET SIZE AS COMPARED TO A STANDARD TWINJET (TJ60) SPRAY TIP OF EQUAL CAPACITY.
- BODY AND CAPS CONSTRUCTED OF NYLON. XR TEEJET TIP MADE OF ACETAL FOR EXCELLENT WEAR LIFE AND CHEMICAL RESISTANCE.
- QUICK TEEJET CAPS ARE COLOR CODED TO MATCH VISIFLO COLOR CODING OF SPRAY TIP.
- IDEAL FOR USE WITH AUTOMATIC SPRAY CONTROLS.
- RECOMMENDED OPERATING RANGE: 1-4 BAR. QJ90-2-NYR ADAPTER RATED TO 20 BAR.

### TYPICAL APPLICATIONS:

- EXCELLENT FOR FUNGICIDE APPLICATIONS - TYPICAL PRESSURES OF 2 BAR AND HIGHER.
- EXCELLENT FOR POST-EMERGE CONTACT HERBICIDE APPLICATIONS - TYPICAL PRESSURES OF 2 BAR AND HIGHER.
- VERY GOOD FOR POST-EMERGE SYSTEMIC HERBICIDE APPLICATIONS - MINIMUM PRESSURE OF 1 BAR.

### DESCRIPTION:

LITERS PER HECTARE TABULATION FOR QJ90-2XXR110\_\_-VP XR TEEJET® DUO EXTENDED RANGE SPRAY TIP ASSEMBLY (METRIC)



**Spraying Systems Co.®**

Spray Nozzles and Accessories  
P.O. Box 7900 - Wheaton, IL 60189-7900

Rev. No.

DATA SHEET

63492M-1

Ref.

SHEET OF