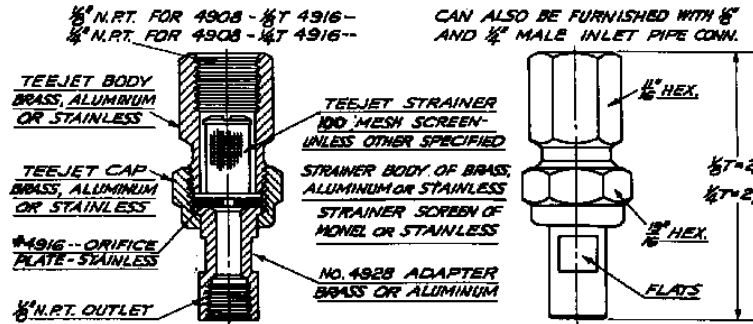
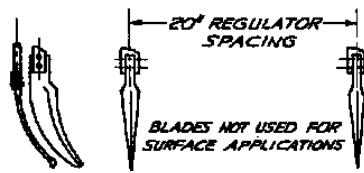


REGULATOR WITH ORIFICE PLATE NO.	PRESSURE IN P.S.I.	CAPACITY IN G.P.M.	GALLONS PER ACRE AT VARIOUS RIG SPEEDS BASED ON SPRAYING WATER AT 20" NOZZLE SPACING						REGULATOR WITH ORIFICE PLATE NO.	PRESSURE IN P.S.I.	CAPACITY IN G.P.M.	GALLONS PER ACRE AT VARIOUS RIG SPEEDS BASED ON SPRAYING WATER AT 20" NOZZLE SPACING					
			2	3	4	6	8	10				2	3	4	6	8	10
			M.P.H.	M.P.H.	M.P.H.	M.P.H.	M.P.H.	M.P.H.				M.P.H.	M.P.H.	M.P.H.	M.P.H.	M.P.H.	M.P.H.
4916-29	1	.017	2.5	1.7	1.3	.84	.63	.50	4916-41	1	.033	4.9	3.3	2.5	1.6	1.2	.99
	3	.029	4.4	2.9	2.2	1.5	1.1	.87		3	.059	8.6	5.7	4.3	2.9	2.1	1.7
	5	.039	5.6	3.8	2.8	1.9	1.4	1.1		5	.074	11.1	7.4	5.5	3.7	2.8	2.2
	10	.054	8.0	5.3	4.0	2.7	2.0	1.6		10	.105	15.6	10.4	7.8	5.2	3.9	3.1
	15	.066	9.8	6.5	4.9	3.3	2.4	2.0		15	.129	19.2	12.8	9.6	6.4	4.8	3.8
	20	.076	11.2	7.5	5.6	3.8	2.8	2.3		20	.143	22	14.7	11.1	7.4	5.5	4.4
	25	.085	12.6	8.4	6.3	4.2	3.1	2.5		25	.167	25	16.5	12.4	8.2	6.2	4.9
	30	.093	13.8	9.2	6.9	4.6	3.5	2.8		30	.182	27	18.1	13.5	9.0	6.8	5.4
	40	.107	15.9	10.6	8.0	5.3	4.0	3.2		40	.211	31	21	15.6	10.4	7.8	6.3
	60	.132	19.5	13.0	9.8	6.5	4.9	3.9		60	.258	38	26	19.2	12.8	9.6	7.7
80	.152	23	15.0	11.3	7.5	5.6	4.5	80	.298	44	29	22	14.7	11.1	8.8		
100	.170	25	16.8	12.6	8.4	6.3	5.0	100	.333	49	33	25	16.5	12.4	9.9		
4916-32	1	.021	3.2	2.1	1.6	1.1	.79	.63	4916-43	1	.036	5.4	3.6	2.7	1.8	1.4	1.1
	3	.037	5.5	3.6	2.7	1.8	1.4	1.1		3	.063	9.4	6.2	4.7	3.1	2.3	1.9
	5	.047	7.1	4.7	3.5	2.4	1.8	1.4		5	.081	12.1	8.1	6.0	4.0	3.0	2.4
	10	.067	10	6.6	5.0	3.3	2.5	2.0		10	.115	17.1	11.4	8.5	5.7	4.3	3.4
	15	.082	12.2	8.1	6.1	4.1	3.1	2.4		15	.141	21	14.0	10.5	7.0	5.2	4.2
	20	.095	14.1	9.4	7.0	4.7	3.5	2.8		20	.163	24	16.1	12.1	8.1	6.0	4.8
	25	.106	15.8	10.5	7.9	5.3	3.9	3.2		25	.182	27	18	13.5	9.0	6.8	5.4
	30	.116	17.3	11.5	8.6	5.8	4.3	3.5		30	.199	30	19.7	14.8	9.9	7.4	5.9
	40	.134	19.9	13.3	10	6.6	5.0	4.0		40	.230	34	23	17.1	11.4	8.5	6.8
	60	.165	24	16.3	12.2	8.1	6.1	4.9		60	.282	42	28	21	14	10.5	8.4
80	.190	28	18.8	14.1	9.4	7.1	5.6	80	.326	48	32	24	16.1	12.1	9.7		
100	.212	32	21	15.8	10.5	7.9	6.3	100	.364	54	36	27	18	13.5	10.8		
4916-35	1	.025	3.7	2.5	1.8	1.2	.92	.74	4916-46	1	.045	6.3	4.2	3.2	2.1	1.6	1.3
	3	.043	6.4	4.2	3.2	2.1	1.6	1.3		3	.074	11	7.3	5.5	3.7	2.7	2.2
	5	.055	8.2	5.5	4.1	2.7	2.1	1.6		5	.095	14.1	9.4	7.1	4.7	3.5	2.8
	10	.078	11.6	7.8	5.8	3.9	2.9	2.3		10	.135	20	13.3	10	6.7	5.0	4.0
	15	.096	14.3	9.5	7.1	4.8	3.6	2.9		15	.165	25	16.3	12.3	8.2	6.1	4.9
	20	.111	16.5	11.0	8.2	5.5	4.1	3.3		20	.191	28	18.9	14.1	9.4	7.1	5.7
	25	.124	18.4	12.3	9.2	6.1	4.6	3.7		25	.213	32	21	15.8	10.5	7.9	6.3
	30	.136	20	13.4	10	6.7	5.0	4.0		30	.233	35	23	17.3	11.5	8.7	6.9
	40	.157	23	15.5	11.6	7.8	5.8	4.7		40	.269	40	27	20	13.3	10	8.0
	60	.192	29	19.0	14.3	9.5	7.1	5.7		60	.330	49	33	25	16.3	12.3	9.8
80	.222	33	22	16.5	11	8.2	6.4	80	.381	57	38	28	18.9	14.1	11.3		
100	.248	37	25	18.4	12.3	9.2	7.4	100	.426	63	42	32	21	15.8	12.7		
4916-37	1	.027	4.0	2.7	2.0	1.3	1.0	.81	4916-52	1	.053	7.9	5.2	3.9	2.6	2.0	1.6
	3	.047	7.0	4.6	3.5	2.3	1.7	1.4		3	.092	13.6	9.1	6.8	4.5	3.4	2.7
	5	.061	9.0	6.0	4.5	3.0	2.3	1.8		5	.118	17.6	11.7	8.8	5.9	4.4	3.5
	10	.086	12.7	8.5	6.4	4.2	3.2	2.5		10	.167	25	16.6	12.4	8.3	6.2	5.0
	15	.105	15.6	10.4	7.8	5.2	3.9	3.1		15	.205	30	20	15.2	10.1	7.6	6.1
	20	.121	18.3	12.2	9.1	6.1	4.6	3.6		20	.237	35	23	17.6	11.7	8.8	7.0
	25	.136	20	13.4	10.1	6.7	5.0	4.0		25	.265	39	26	19.6	13.1	9.8	7.9
	30	.149	22	14.7	11	7.4	5.5	4.4		30	.290	43	29	22	14.4	10.8	8.6
	40	.171	25	17	12.7	8.5	6.4	5.1		40	.335	50	35	25	16.6	12.4	9.9
	60	.210	31	21	15.4	10.4	7.8	6.2		60	.410	61	41	30	20	15.2	12.2
80	.242	36	24	18	12	9.0	7.2	80	.473	70	47	35	23	17.6	14.1		
100	.271	40	27	20	13.4	10.1	8.1	100	.523	79	52	39	26	19.7	15.7		



WHEN ORDERING BE SURE TO SPECIFY MATERIALS DESIRED
NO. 4908 -- T 4916 -- TEEJET FLOW REGULATOR



TABULATION AT LEFT AND OVER
SHOWS WATER GALLONAGES AT
VARIOUS RIG SPEEDS AND LIQUID
PRESSURES WITH SPACING AT 20".

TO CONVERT TABULATED WATER
CAPACITIES INTO GALLONS PER ACRE
OF FERTILIZER AND POUNDS OF
NITROGEN PER ACRE - MULTIPLY
THE TABULATED FIGURES BY THE
PROPER CONVERSION FACTORS
SHOWN IN TABLE AT THE RIGHT.

CONVERSION FACTORS FOR OTHER
BRANDS OF FERTILIZER SOLUTIONS
WILL BE SUPPLIED ON REQUEST.
SUBMIT SPECIFIC GRAVITY AT
SPRAYING TEMPERATURE AND
POUNDS OF NITROGEN PER GALLON.

* CONVERSION FACTOR TO GET:		
LIQUID FERTILIZER	GALLONS LIQUID FERTILIZER PER ACRE	POUNDS NITROGEN PER ACRE
FERAN - 21%	.88	2.0
SODAN - 20%	.84	2.0
URAN - 32%	.87	3.1
NITRANA 2-41%	.94	3.7
NITRANA 3-41%	.96	3.5
NITRANA 4-37%	.92	3.4
30% B LIQUOR - 25%	1.06	2.0
FARMWELL '999'	.90	

* BASED ON SOLUTIONS AT 60° F.

DESCRIPTION:
CONVERSION CHART
FOR LIQUID FERTILIZERS
USING TEEJET FLOW REGULATORS



Spraying Systems Co.
Spray Nozzles and Accessories
P.O. Box 7900 - Wheaton, IL 60189-7900

Rev. No.

Date Sheet No.

6171

Ref.

SHEET OF