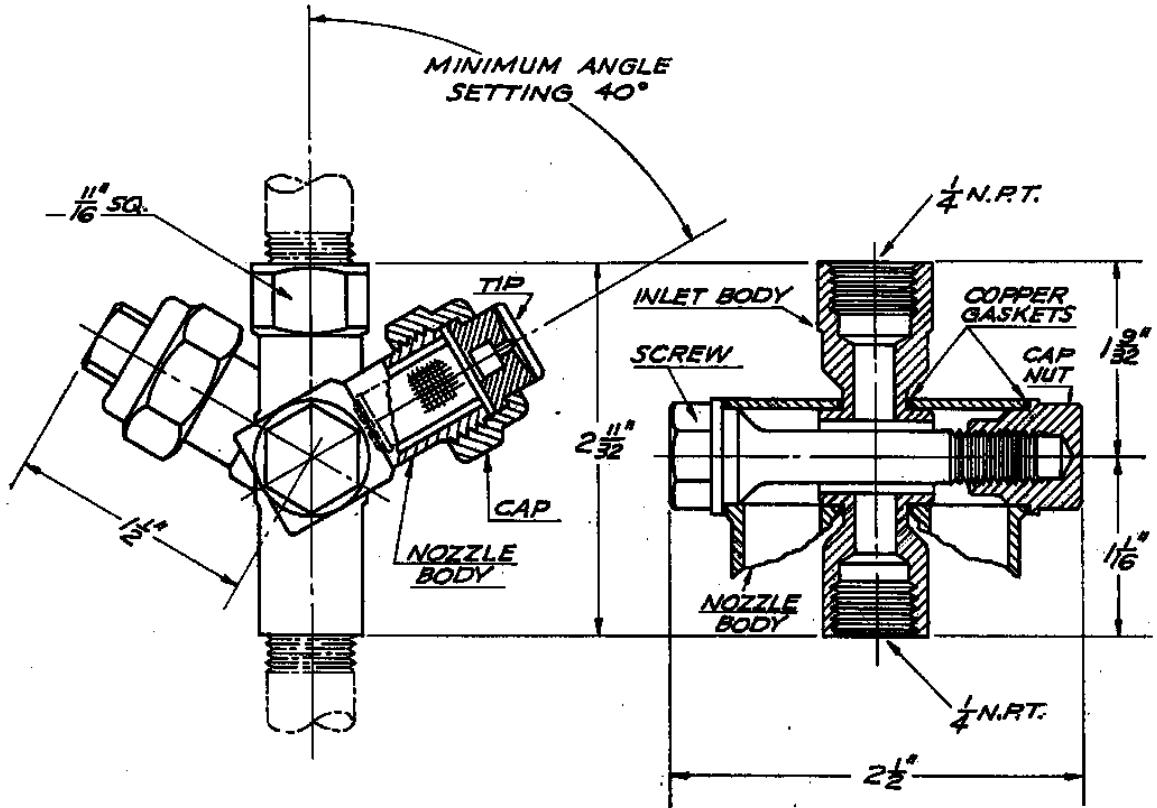


THIS NOZZLE IS DESIGNED FOR USE ON DROP PIPES FOR INTER-MEDIATE NOZZLE POSITIONS IN ROW CROP SPRAYING APPLICATIONS. FOR NOZZLES USED ON ENDS OF DROP PIPES SEE DATA SHEET #4202.

SLIGHT TURN OF LOCKNUT WILL HOLD SET ANGLE DESPITE VIBRATION.



NET WT. 10 oz.

THE #5932-2-1/4T--- DOUBLE SWIVEL TEEJET NOZZLE CAN BE FURNISHED WITH ANY OF THE INTERCHANGEABLE TEEJET TIPS TO PRODUCE THE DESIRED TYPE OF SPRAY PATTERN.

FOR FLAT SPRAY TEEJET TIPS SEE DATA SHEET #2851
 FOR FULL CONE TEEJET TIPS SEE DATA SHEET #4517
 FOR HOLLOW CONE TEEJET TIPS SEE DATA SHEET #4411
 FOR HOLLOW CONE CONEJET TIPS SEE DATA SHEET #5200-X

DESCRIPTION:

5932-2-1/4T---DOUBLE SWIVEL TEEJET NOZZLE



Spraying Systems Co.®

Spray Nozzles and Accessories
 P.O. Box 7900 - Wheaton, Il. 60189-7900

Rev. No.

Data Sheet No.

5932

Ref.

SHEET OF