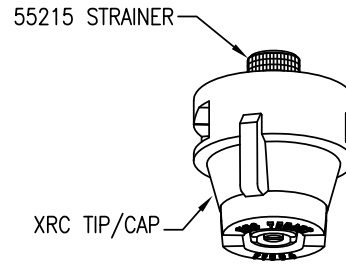
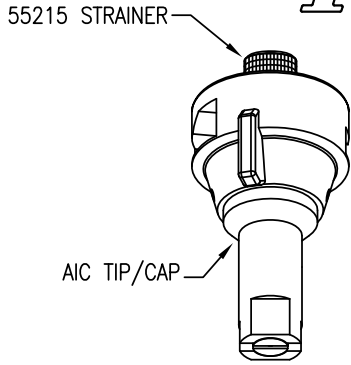


TeeJet®

AIC & XRC TIP/CAPS WITH
RETAINED STRAINER



AIC 110015VS-100-EPR

| TIP/CAP SERIES | |
|----------------|----------------|
| PART CODE | DESCRIPTION |
| AIC | AIR INDUCTION |
| XRC | EXTENDED RANGE |

| SPRAY ANGLE | |
|-------------|------------------|
| PART CODE | DESCRIPTION |
| 80 | 80° SPRAY ANGLE |
| 110 | 110° SPRAY ANGLE |

NOTE: AIC OFFERED IN 110° ONLY.

| TIP CAPACITY |
|--|
| SPECIFY: 015, 02, 025, 03, 04, 05, 06, 08 OR 10. |

NOTE: NOT ALL CAPACITIES AVAILABLE IN EVERY MATERIAL, ANGLE, AND/OR TIP SERIES.

| GASKET MATERIAL | |
|-----------------|-------------|
| PART CODE | DESCRIPTION |
| EPR | EPDM RUBBER |
| VI | VITON® |

| SCREEN MESH SIZE | |
|------------------|-------------|
| PART CODE | DESCRIPTION |
| 50 | 50-MESH |
| 100 | 100-MESH |

NOTE: CAPACITIES 015 AND SMALLER USE 100-MESH, CAPACITIES 02 AND LARGER USE 50-MESH.

| ORIFICE MATERIAL | |
|------------------|--------------------------|
| PART CODE | DESCRIPTION |
| VK | VISIFLO® CERAMIC |
| VP | VISIFLO® POLYMER |
| VS | VISIFLO® STAINLESS STEEL |

NOTE: NOT ALL CAPACITIES AND/OR ANGLES AVAILABLE IN EVERY MATERIAL.

FEATURES:

- TIP, CAP, STRAINER AND GASKET COMBINED INTO A SINGLE UNIT FOR EASY INSTALLATION AND HANDLING.
- SELF-RETAINED DESIGN KEEPS STRAINER ATTACHED TO TIP AND CAP WHEN REMOVED FROM THE NOZZLE BODY.

NOTE: FOR ADDITIONAL INFORMATION AND APPLICATION RATES SEE DATA SHEETS 49720 & 49720M FOR AIC AND 49725 & 49725M FOR XRC TIP/CAPS. FOR ADDITIONAL INFORMATION ON RETAINED TIP STRAINER SEE DATA SHEET 55215. VITON® IS A TRADEMARK OF DUPONT PERFORMANCE ELASTOMERS

DESCRIPTION:

**ORDERING INFORMATION FOR
AIC AND XRC TIP/CAPS
WITH RETAINED TIP STRAINER**



Spraying Systems Co.®

Spray Nozzles and Accessories
P.O. Box 7900 - Wheaton, Il. 60189-7900

Rev. No.

Ref.

DATA SHEET

55215-1

SHEET OF