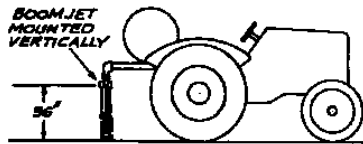
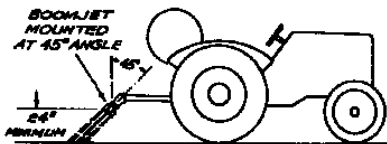


NOZZLE NO.	OC TIP "A"	VEEJET "B"	VEEJET "C"	ANGLE "V"	LIQUID PRESSURE P.S.I.	TOTAL CAPACITY G.P.M.	1/2" FEET	GALLONS PER ACRE					
								3	4	5	6	8	10
								M.P.H.	M.P.H.	M.P.H.	M.P.H.	M.P.H.	M.P.H.
5430-3/4-2T0C06	#6733 OC06	1/2" V51506	1/2" V49502	54° 15	1.6	33	7.9	5.9	4.8	4.0	3.0	2.4	
				54° 20	1.8	33 <sup>1</sup> / <sub>2</sub>	9.1	6.8	5.4	4.5	3.4	2.7	
				54° 30	2.3	34	10.9	8.2	6.6	5.5	4.1	3.3	
				54° 40	2.6	34 <sup>1</sup> / <sub>2</sub>	12.4	9.3	7.5	6.2	4.7	3.7	
				54° 60	3.2	35	15.0	11.2	9.0	7.5	5.6	4.5	
5430-3/4-2T0C10	OC10	1/2" V50506	1/2" V41004	58° 10	2.0	38	8.7	6.5	5.2	4.4	3.3	2.6	
				58° 15	2.5	39	10.4	7.8	6.3	5.2	3.9	3.2	
				61° 20	2.8	39 <sup>1</sup> / <sub>2</sub>	11.9	8.9	7.1	6.0	4.5	3.6	
				61° 30	3.5	40	13.9	10.4	8.3	7.0	5.2	4.2	
				61° 40	4.0	40 <sup>1</sup> / <sub>2</sub>	15.9	11.9	9.5	8.0	6.0	4.8	
				61° 60	4.9	41	19.2	14.4	11.5	9.6	7.2	5.8	
5430-3/4-2T0C20	OC20	1/2" V50506	1/2" V49506	49° 10	4.3	41	17.3	13.0	10.4	8.7	6.5	5.2	
				51° 15	5.3	43	20.2	15.1	12.2	10.1	7.6	6.1	
				53° 20	6.1	47	21.4	16.1	12.8	10.7	8.1	6.4	
				53° 30	7.5	50	24.6	18.5	14.7	12.3	9.3	7.4	
				53° 40	8.6	52	27.3	20.4	16.4	13.7	10.2	8.2	
5430-3/4-2T0C40	OC40	1/2" V50506	1/2" V49510	51° 10	8.5	48	29.2	21.9	17.5	14.6	11.0	8.8	
				51° 15	10.4	52	33.0	24.7	19.8	16.5	12.4	9.9	
				53° 20	12.0	56	35.8	26.9	21.5	17.9	13.5	10.8	
				53° 30	14.7	60	40.5	30.3	24.3	20.3	15.2	12.2	
				53° 40	17.0	63	44.5	33.4	26.7	22.3	16.7	13.4	
53° 60	20.8	66	52.1	38.9	31.2	26.1	19.5	15.6					

NOTE: VEEJET "C" FURNISHED WITH STRAINER - EXCEPT IN NO.5430 - 3/4 - 2T0C40  
COVERAGES ARE BASED ON RIG BEING IN MOTION AT SPEEDS LISTED.

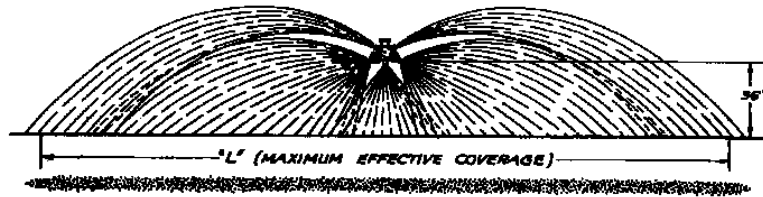


(FIG. 1)



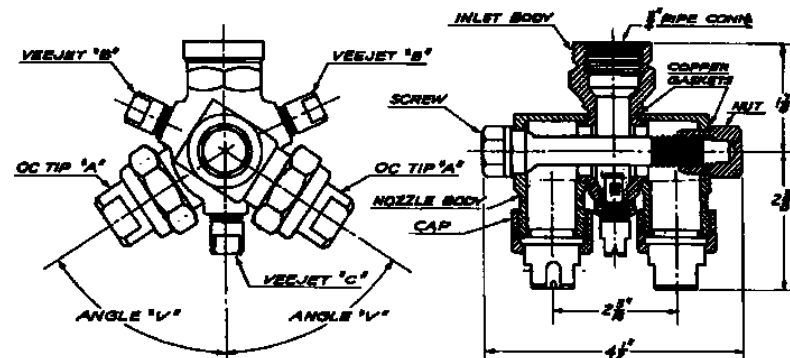
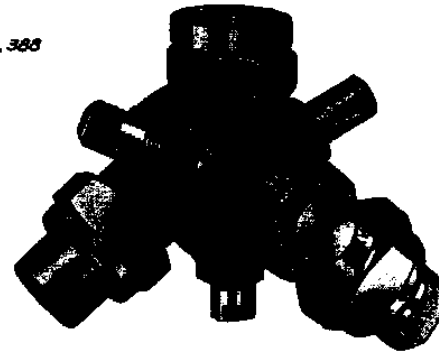
(FIG. 2)

THE TABULATION IS BASED ON THE BOOMJET SPRAYING IN A VERTICAL POSITION AT A HEIGHT OF 36" (FIG. 1). THE NOZZLE WILL ALSO OPERATE SATISFACTORILY MOUNTED IN AN INCLINED POSITION AT ANY ANGLE UP TO 45° AND AT ANY HEIGHT FROM 36" TO 24" ABOVE THE GROUND (FIG. 2). THE ANGLE MOUNTING REDUCES THE HEIGHT OF THE SPRAY AND LESSENS THE EFFECT OF WIND DRIFTAGE. HOWEVER, WHEN THE HEIGHT OF THE NOZZLE IS SO LOWERED, THERE WILL BE A SLIGHT REDUCTION IN TOTAL COVERAGE AND A RESULTING INCREASE IN THE RATE OF APPLICATION (GALLONS PER ACRE).



FLAT SPRAY PATTERN

PATENT NO. 2, 619, 388



**DESCRIPTION:**

**NO. 5430 - 3/4 - 2T OC--  
BOOMJET NOZZLE**



**Spraying Systems Co.®**

Spray Nozzles and Accessories  
P.O. Box 7900 - Wheaton, Il. 60189-7900

Rev. No.

Ref.

Data Sheet No.

**5430**

SHEET OF