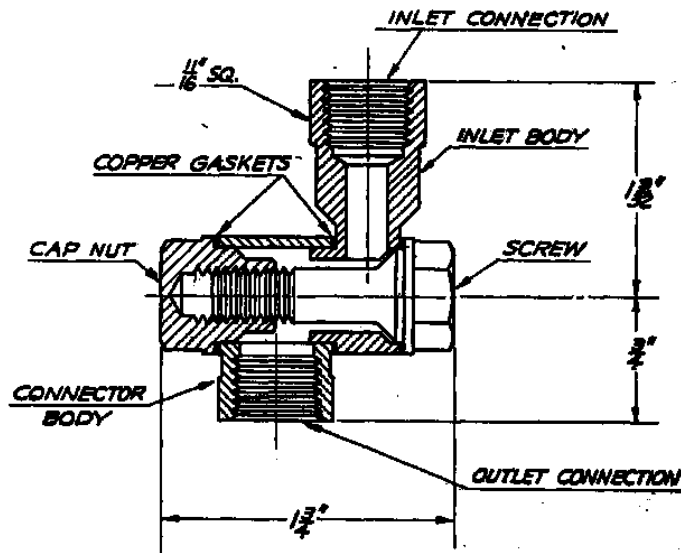


This connector is used on the end drop pipes of booms set for row crop spraying. The nozzle which was removed for the end drop pipe installation is then used in the outlet connection of Single Swivel Connector.



Nozzle can be set in any position on 280° arc

Connector No.	Inlet Connection	Outlet Connection
5082-1/4 x 1/8	1/4" NPT	1/8" NPT
5082-1/4 x 1/4	1/4" NPT	1/4" NPT
5082-1/8 x 1/4	1/8" NPT	1/4" NPT
5082-1/8 x 1/8	1/8" NPT	1/8" NPT

DESCRIPTION:
 E5082---
 SINGLE SWIVEL CONNECTOR



Spraying Systems Co.[®]

Spray Nozzles and Accessories
 P.O. Box 7900 - Wheaton, Il. 60189-7900

Rev. No.

Data Sheet No.

5082

Ref.

SHEET OF