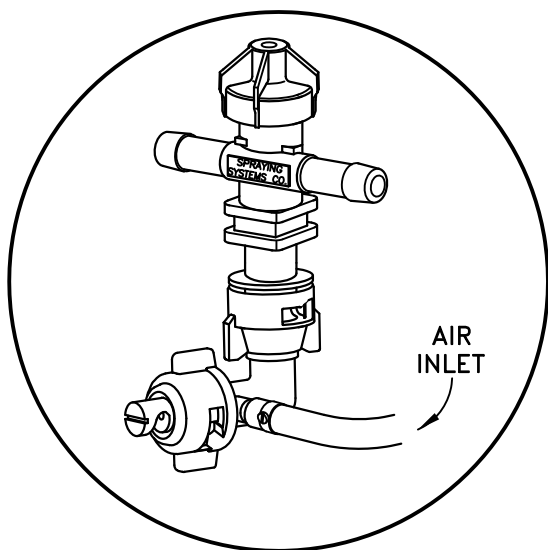
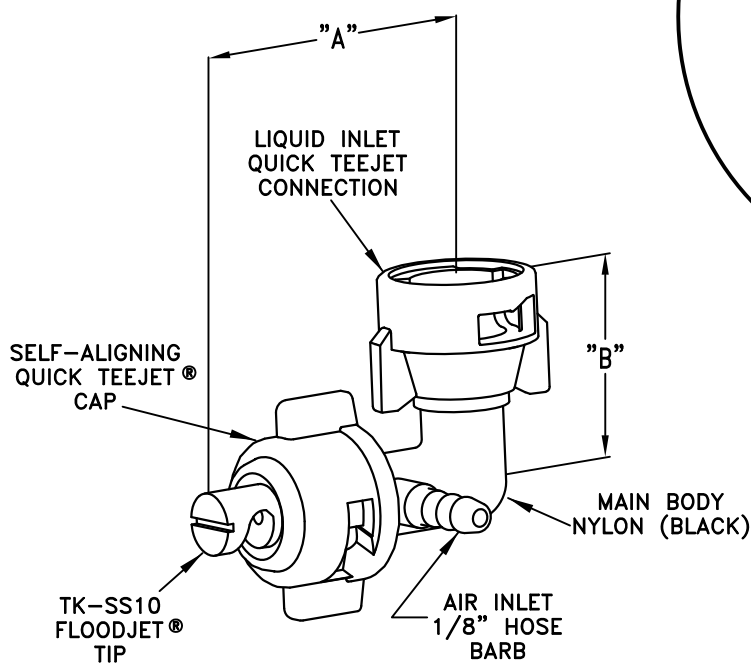


TO INSTALL BODY, ATTACH
TO QUICK TEEJET®
NOZZLE BODY



TYPICAL ASSEMBLY

MODEL No.	"A" APPROX.	"B" APPROX.
49880A-NYB	2-7/16"	1-11/16"
49880E-NYB	(62 mm)	(43 mm)

FEATURES:

- FITS ALL QUICK TEEJET® BODIES FOR EASY ADAPTABILITY.
- INTERNAL AIR/LIQUID MIXTURE TO GIVE DROPLET SIZE CONTROL OVER A VARIETY OF AIR AND LIQUID PRESSURES.
- DRIP FREE, POSITIVE SHUT-OFF WHEN USED WITH QJ17560A OR OTHER QUICK TEEJET BODIES HAVING CHEMSAVER ENDCAPS.
- 49880E, END OF BOOM VERSION, FEATURES AN OFFSET SPRAY TIP WHICH PROVIDES A FULL APPLICATION RATE AT BOOM ENDS.
- MADE OF CORROSION RESISTANT MATERIALS.
- FIVE SIZES OF ORIFICE INSERTS AVAILABLE- #31, #35, #42, #52 AND #62.
- CAN BE USED FOR LOW VOLUME APPLICATIONS.

FOR APPLICATION AND DROPLET SIZE CATEGORY INFORMATION SEE DATA SHEETS 49880-__ AND 49880M-__.

DESCRIPTION:
49880A
AIRJET® BI-FLUID
NOZZLE ASSEMBLY



Spraying Systems Co.®
Spray Nozzles and Accessories
P.O. Box 7900 - Wheaton, Il. 60189-7900

Rev. No. 2
Ref.

DATA SHEET
49880
SHEET OF